



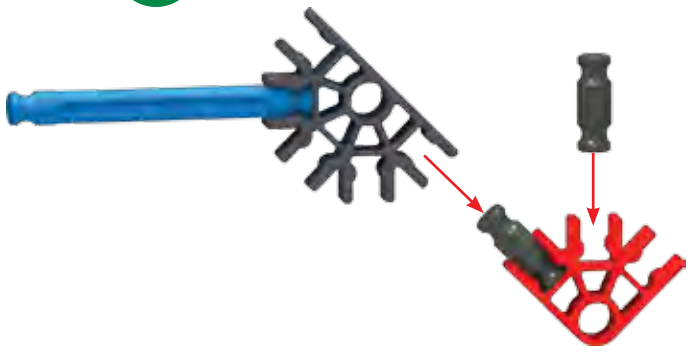
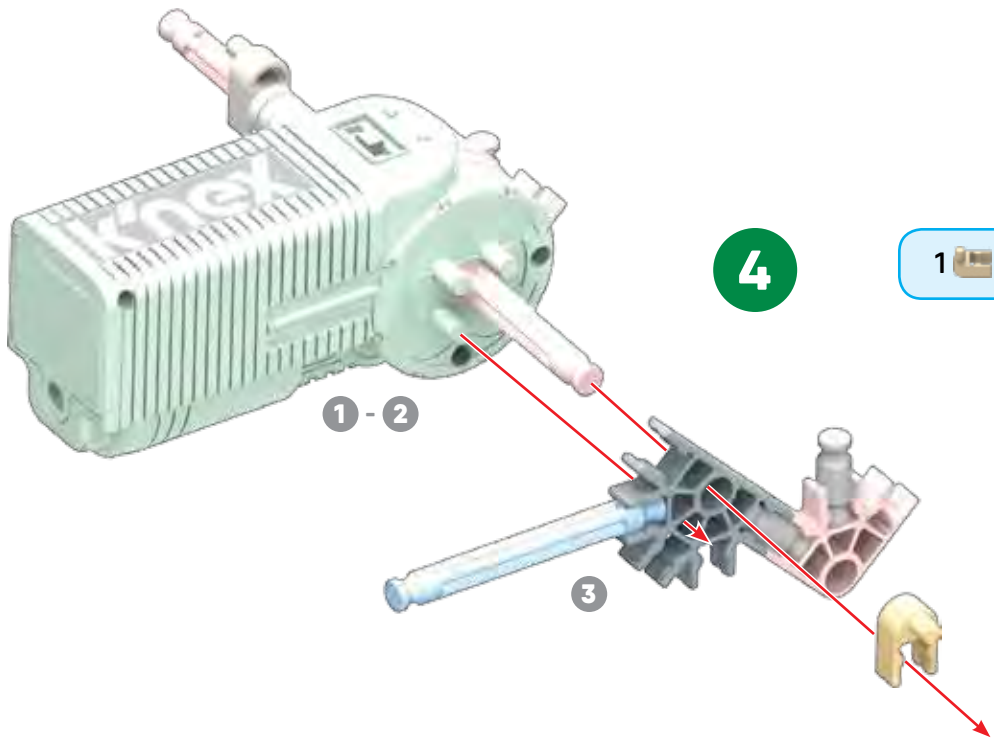
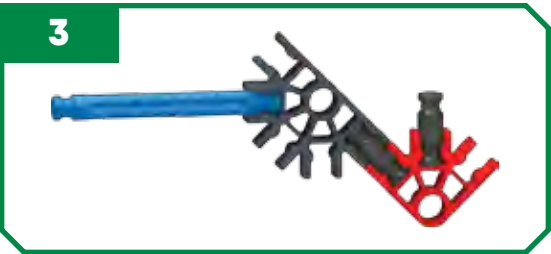


- 2 
- 1 
- 1 
- 1 

3



3







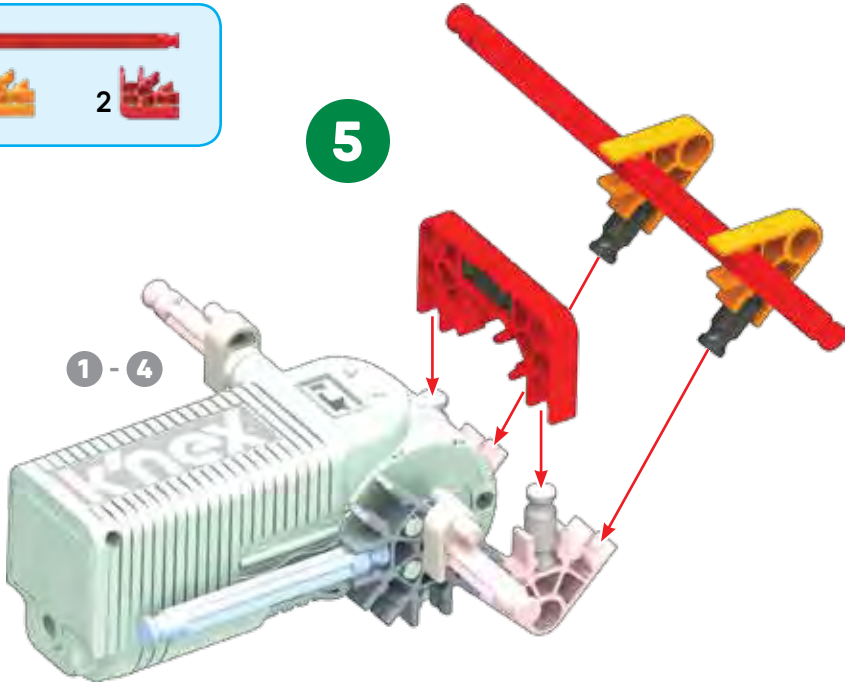
4

- 1 

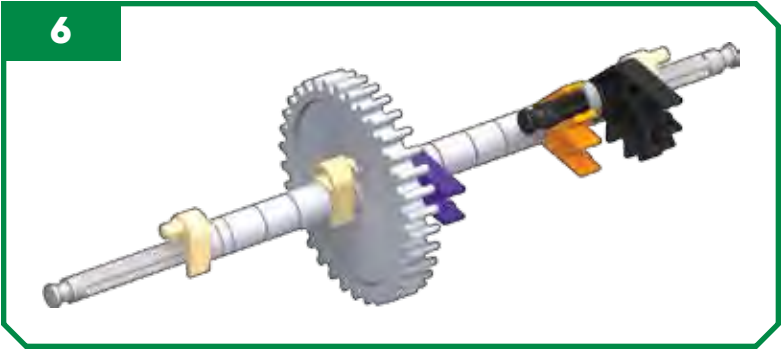
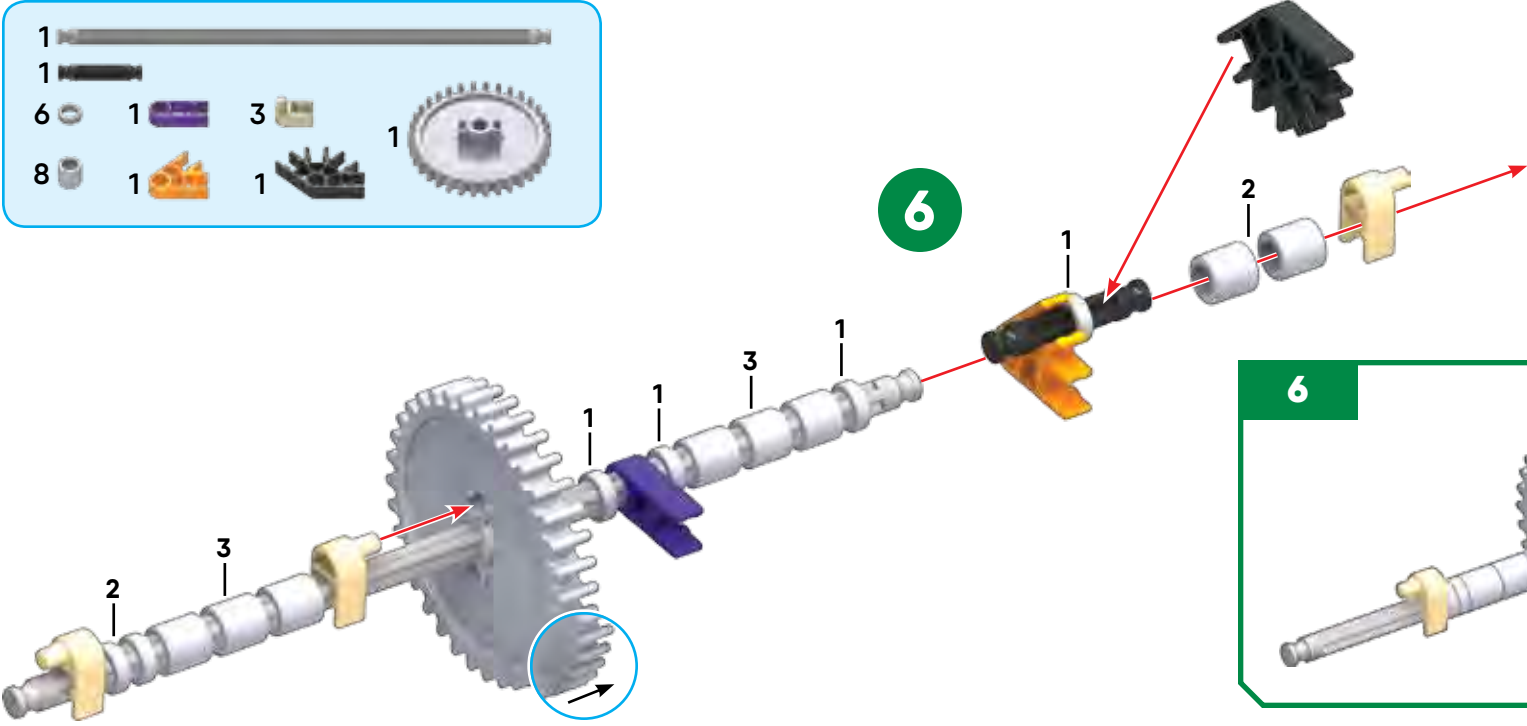
1-4

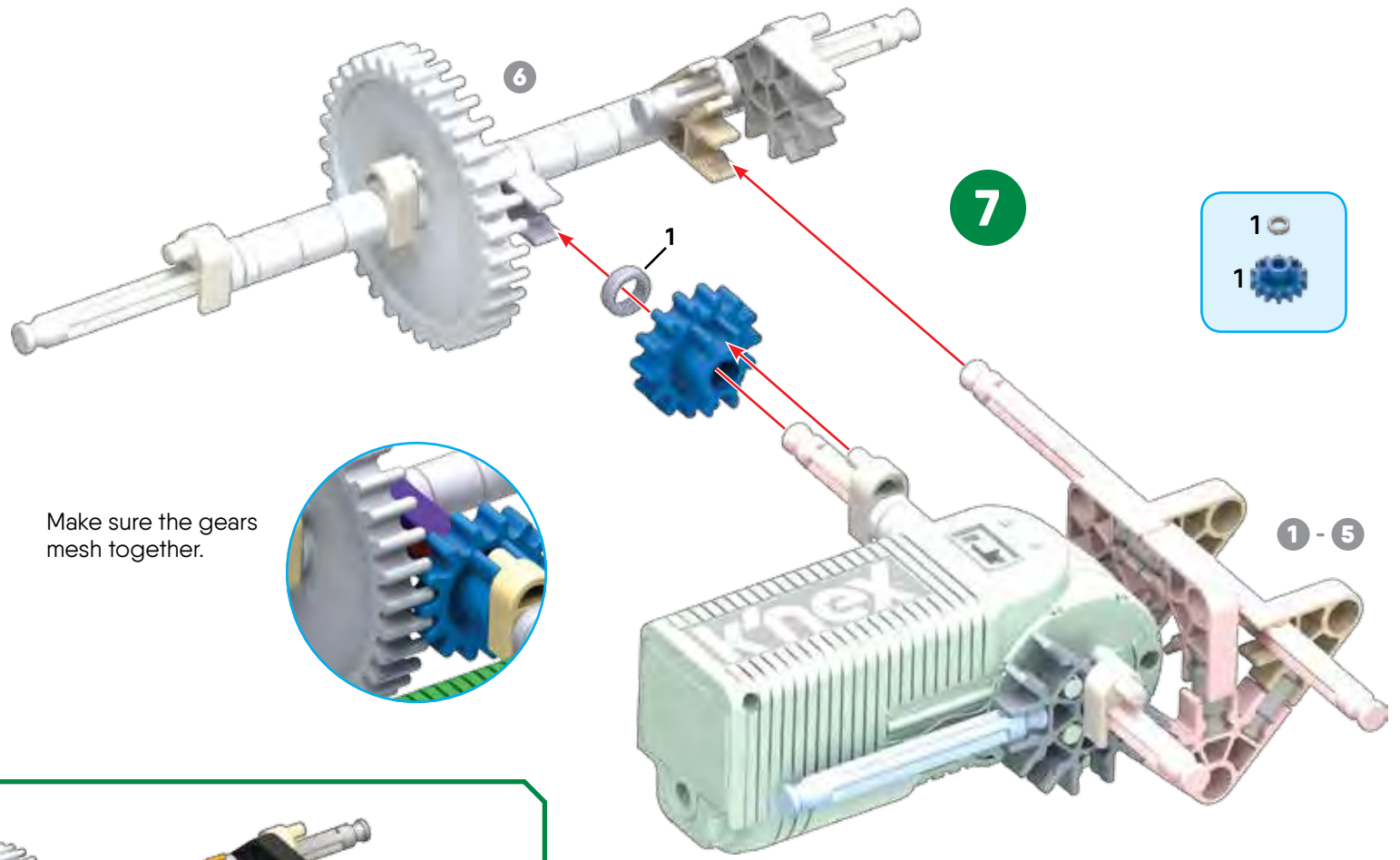


- 1 
- 3 
- 2 
- 2 

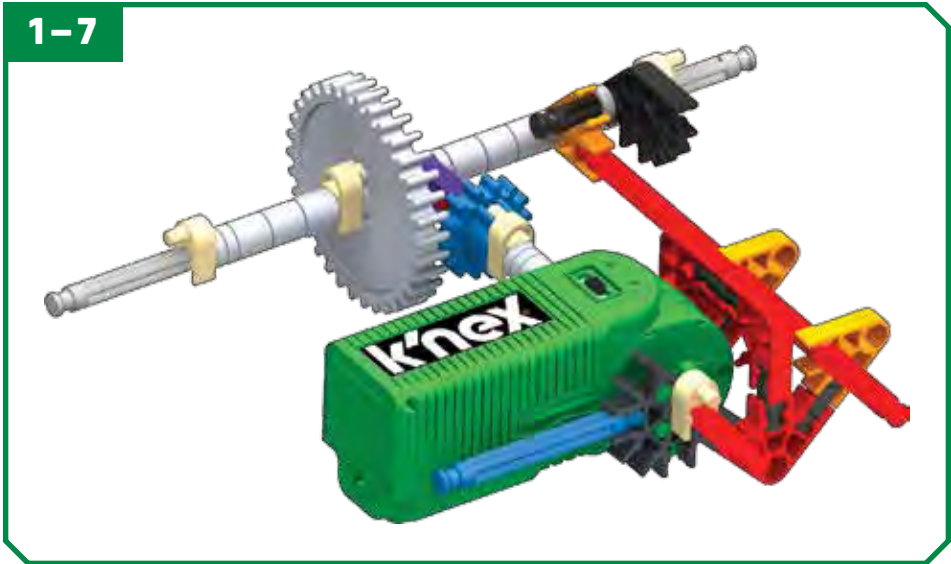


- 1 
- 1 
- 6 
- 1 
- 3 
- 1 
- 8 
- 1 
- 1 
- 1 

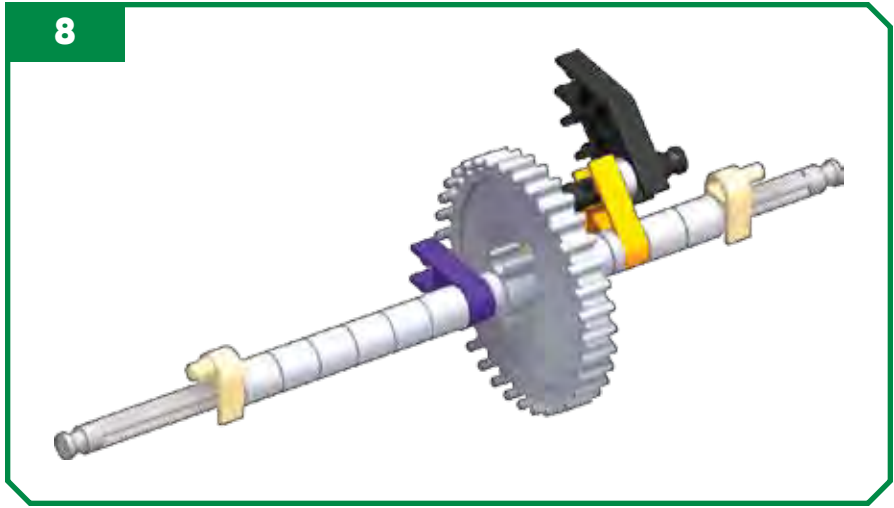
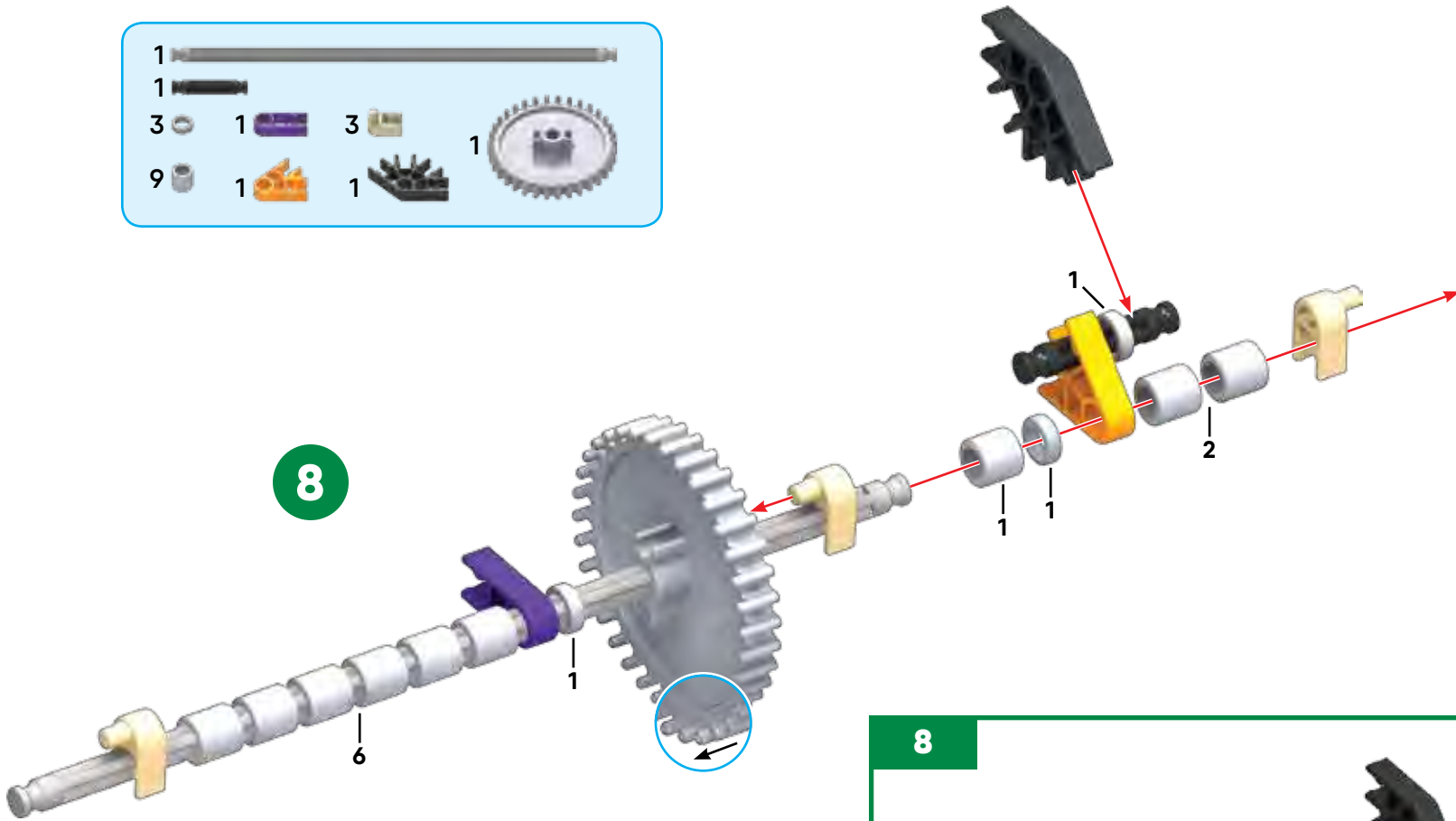




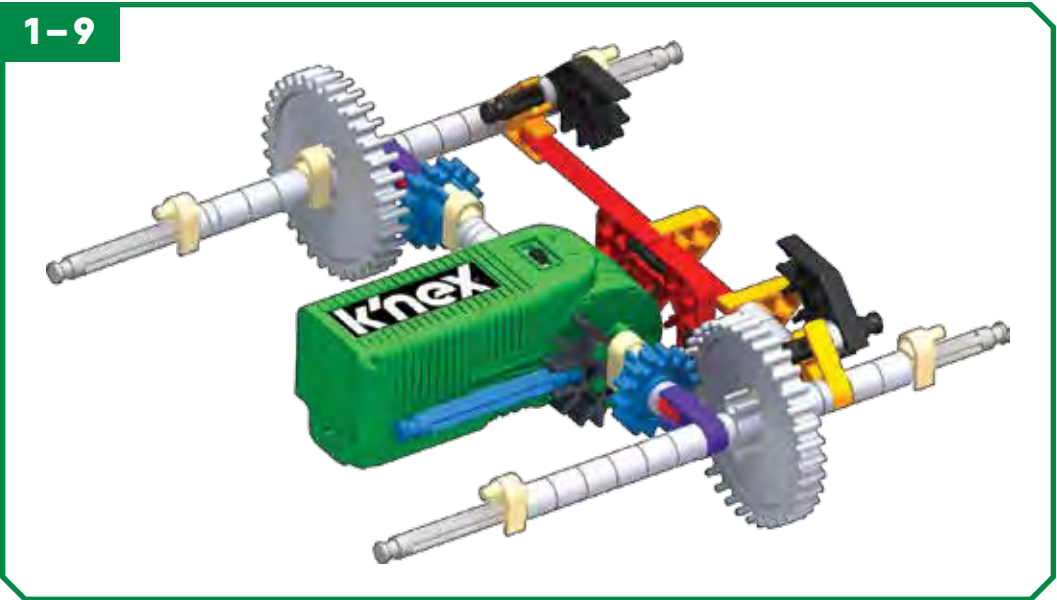
Make sure the gears mesh together.



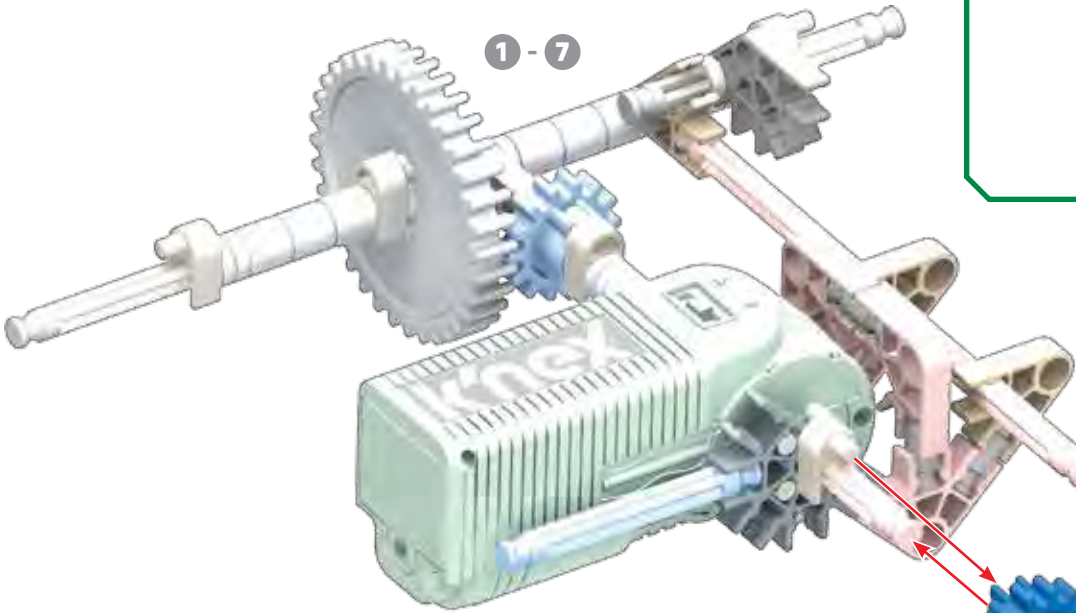
- 1
- 1
- 3
- 1
- 3
- 1
- 9
- 1
- 1



1-9

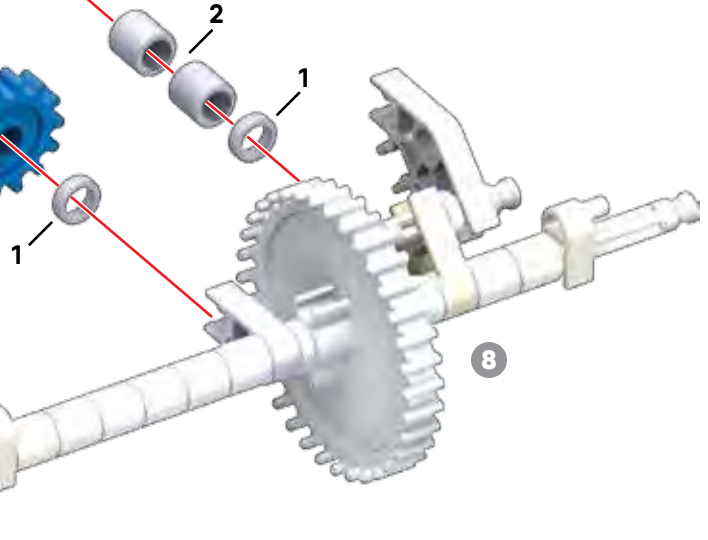


1-7



9

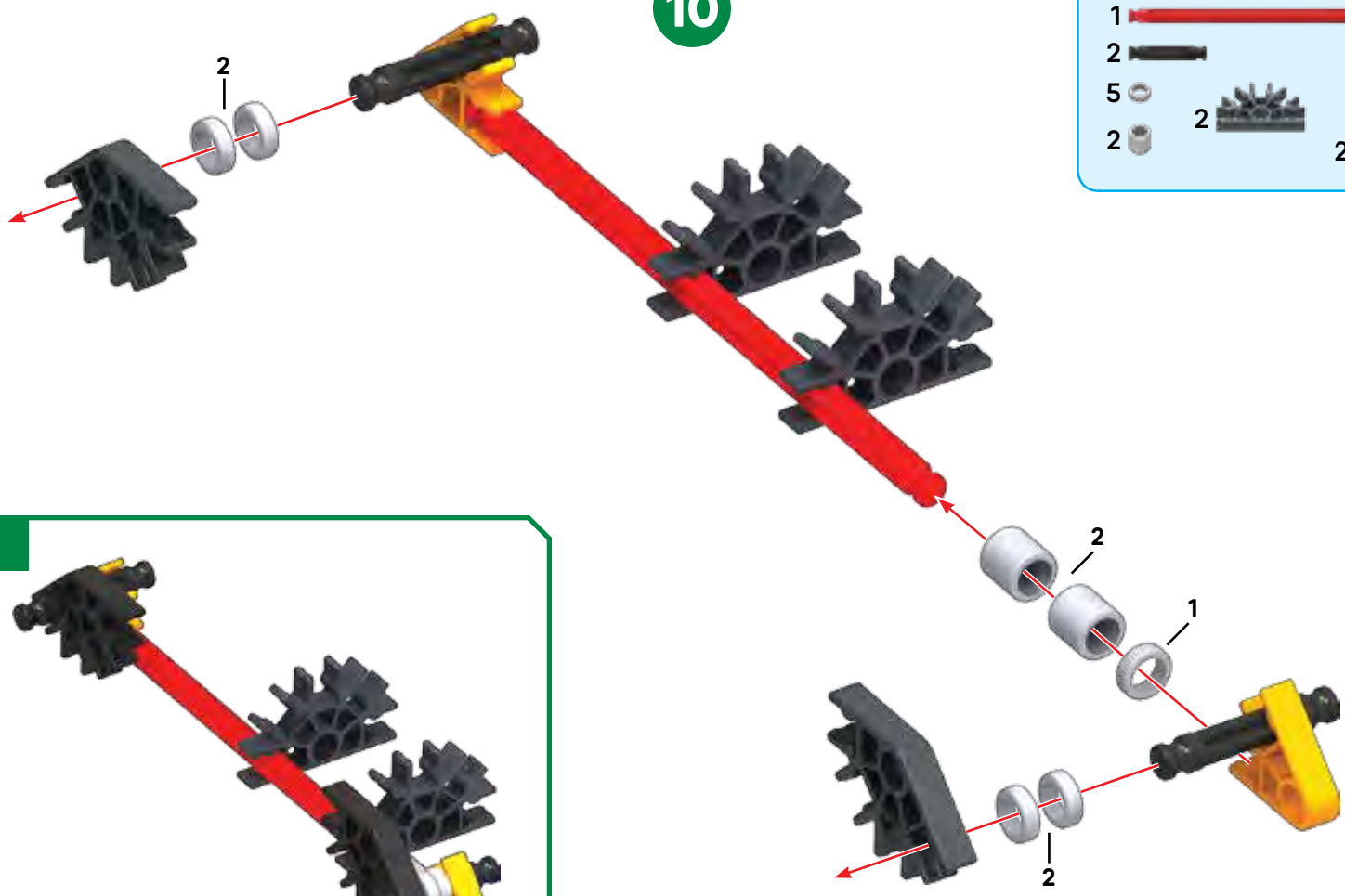
- 2 
- 2 
- 1 



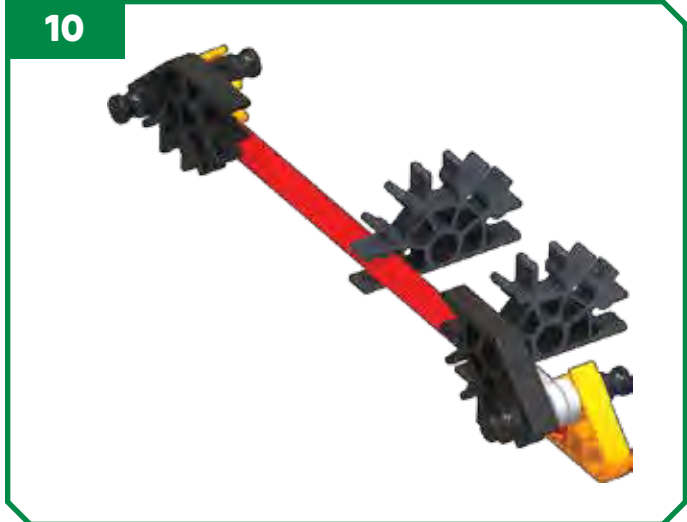
Make sure the gears mesh together.

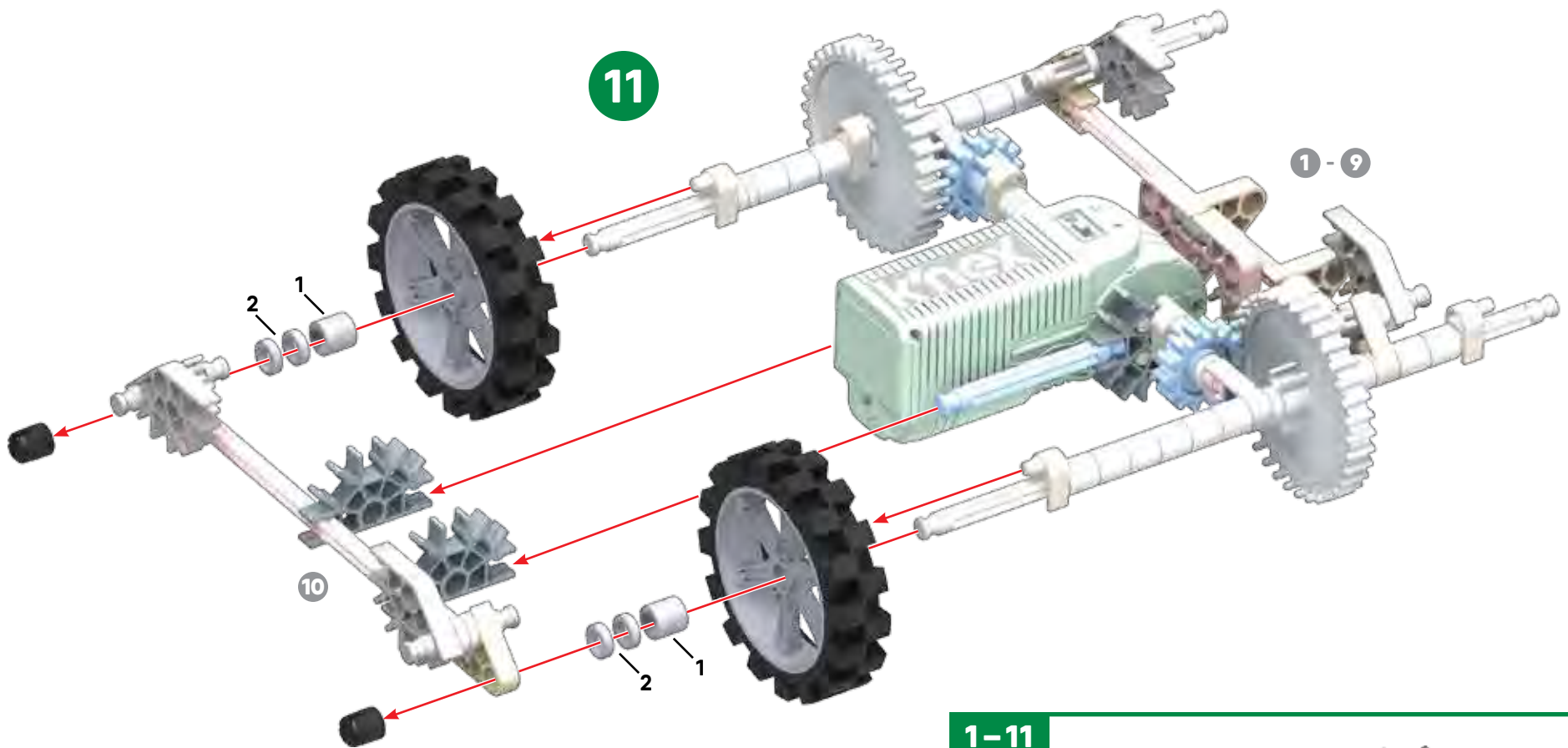


10



- | | | | |
|---|--|---|--|
| 1 | | | |
| 2 | | | |
| 5 | | 2 | |
| 2 | | 2 | |

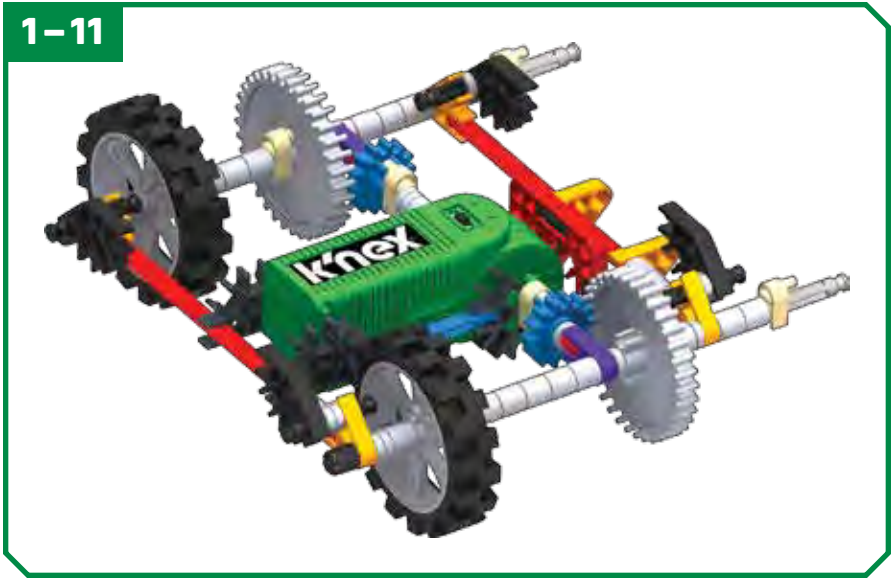
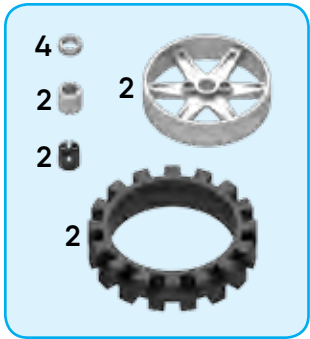




11

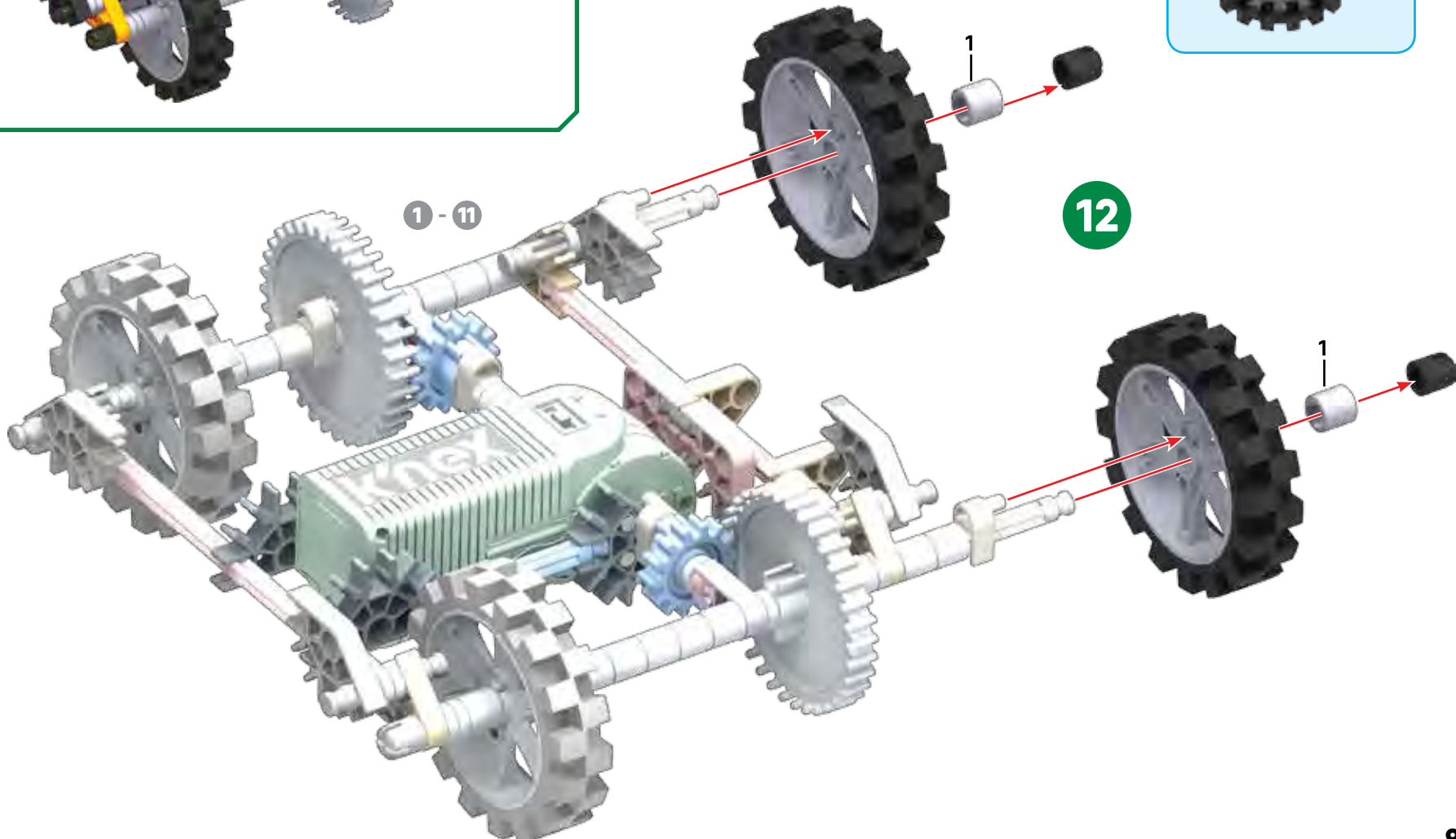
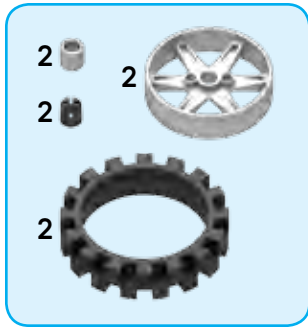
1-9

10

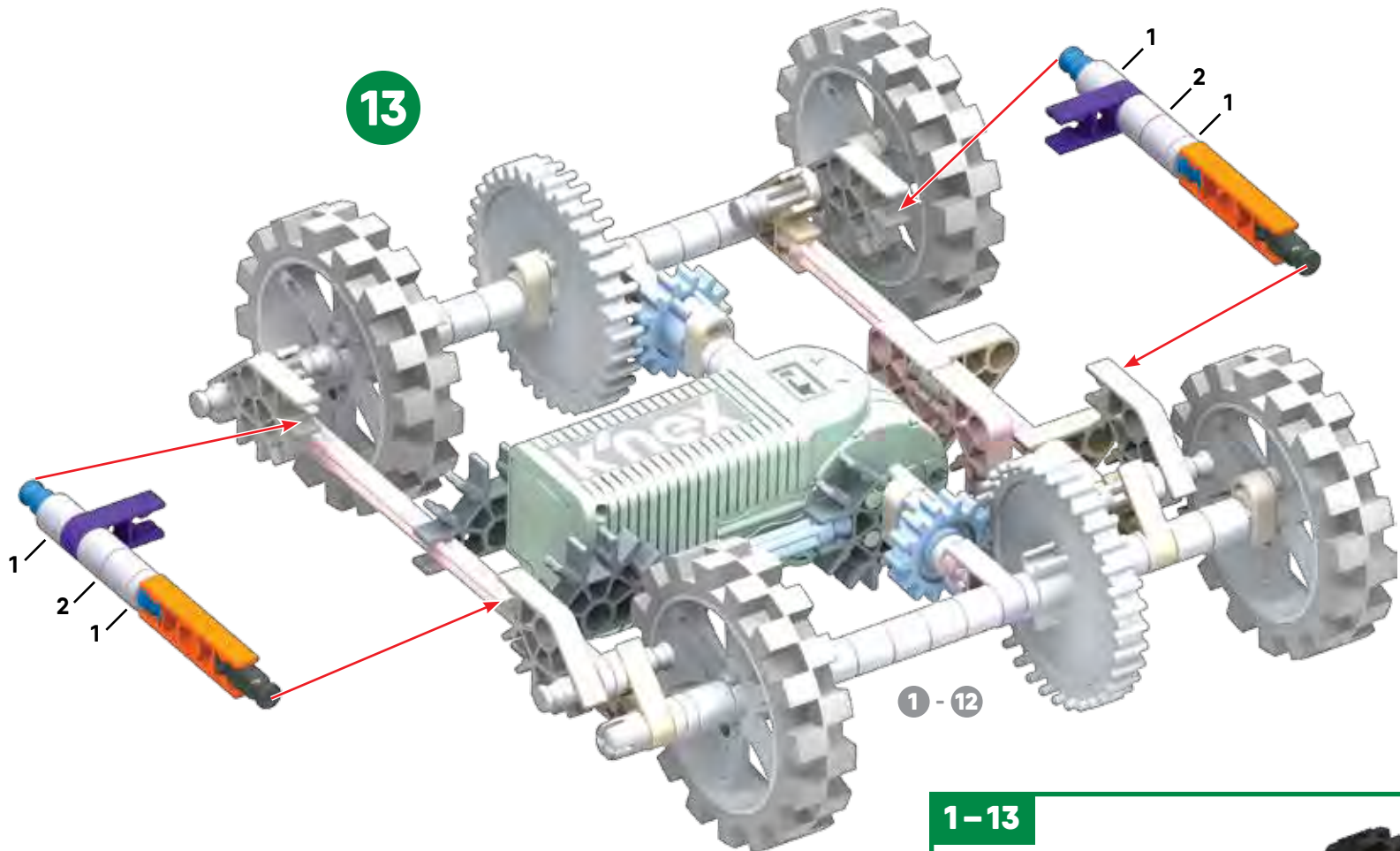


1-11

1-12

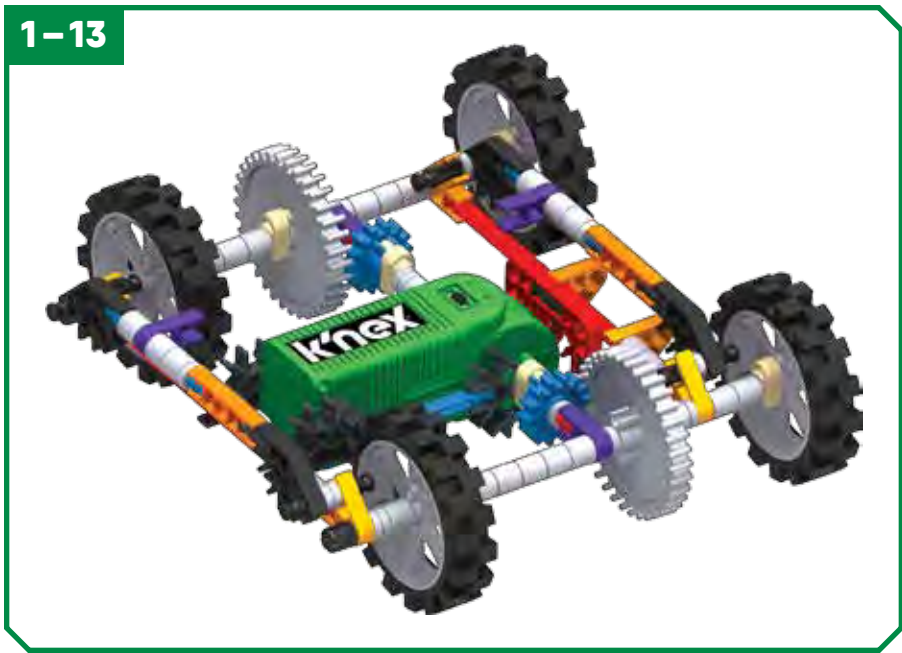



13

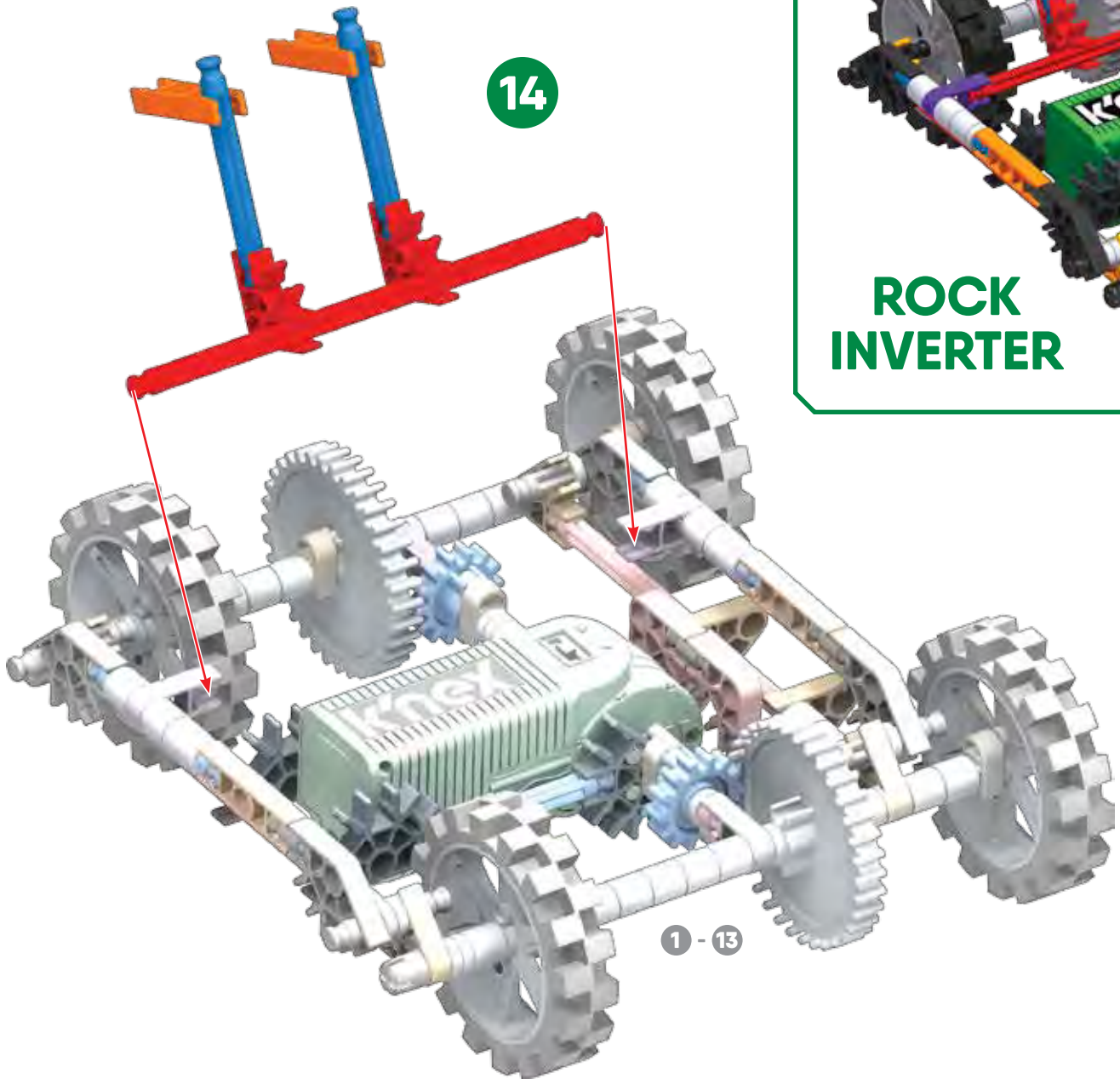


1 - 12

- | | | |
|---|---|---|
| 2 | 2 | 2 |
| 6 | 2 | 2 |



- 2 
- 1 
- 2  2 



1-14



**ROCK
INVERTER**

1 - 13