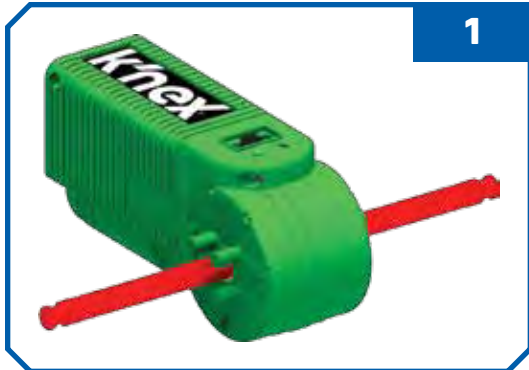


# TRACK INVERTER



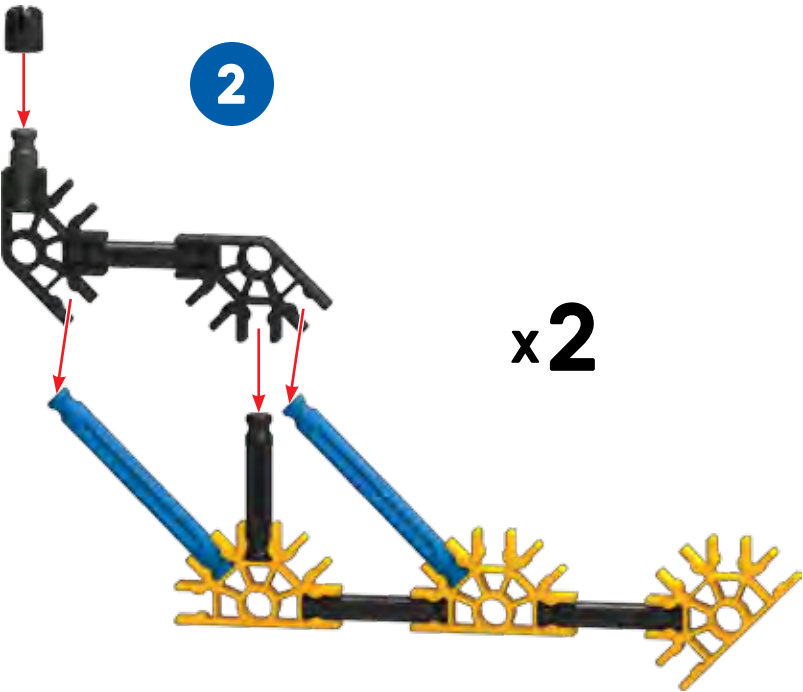
Did you install 2 AA (or LR6) batteries in the motor?

1

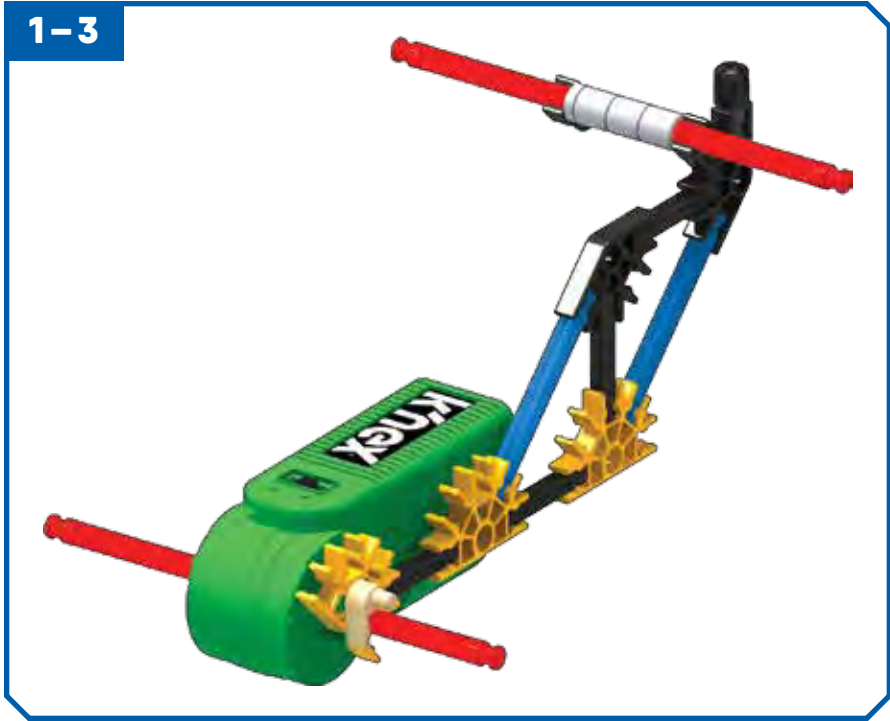


2	8	4
2	4	6

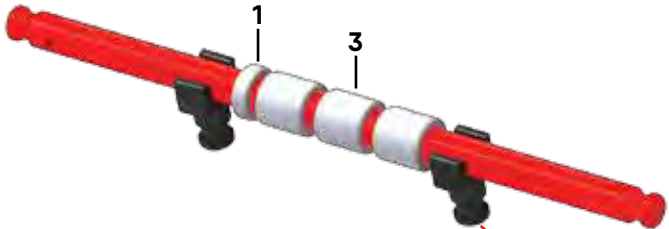
2



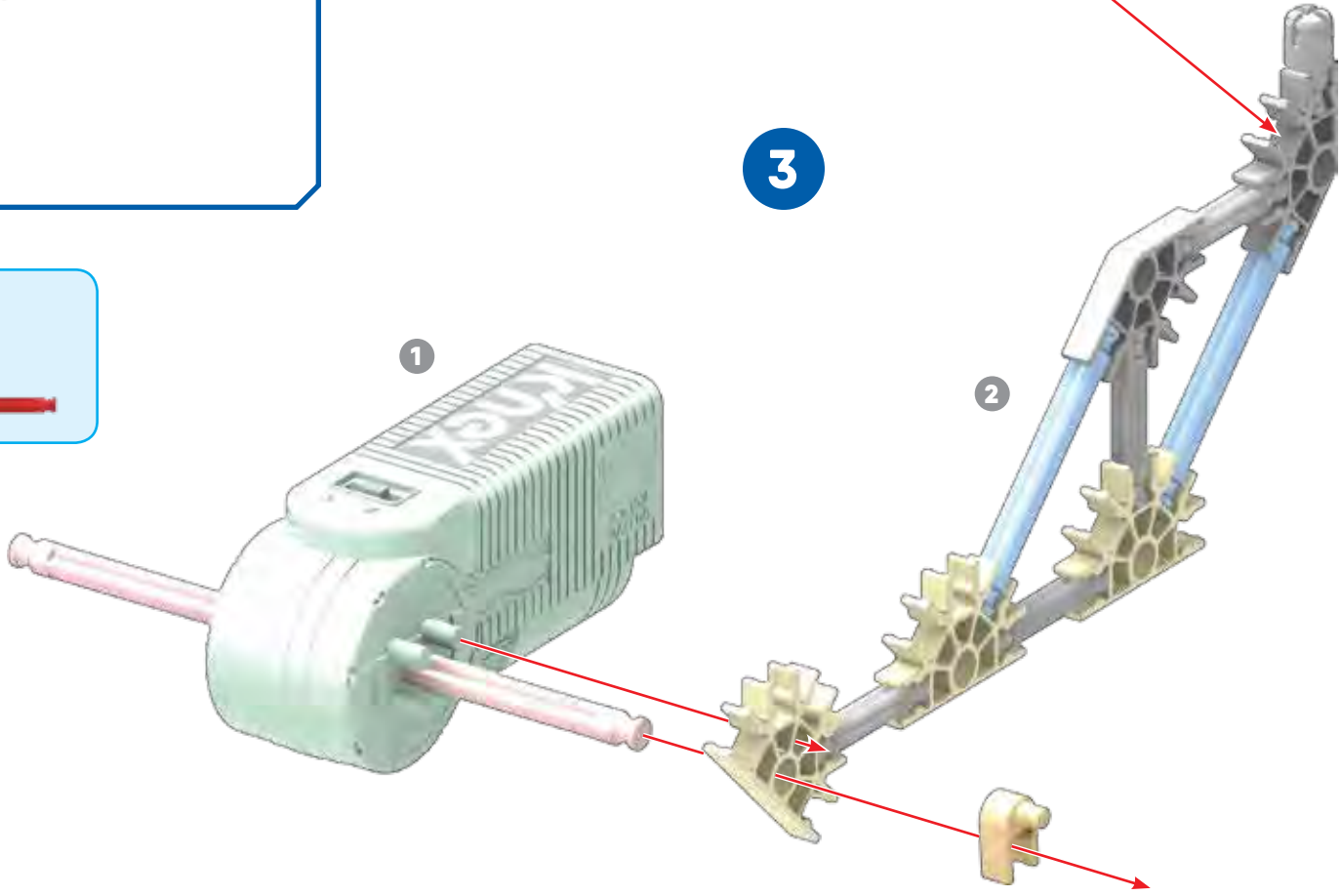
1-3

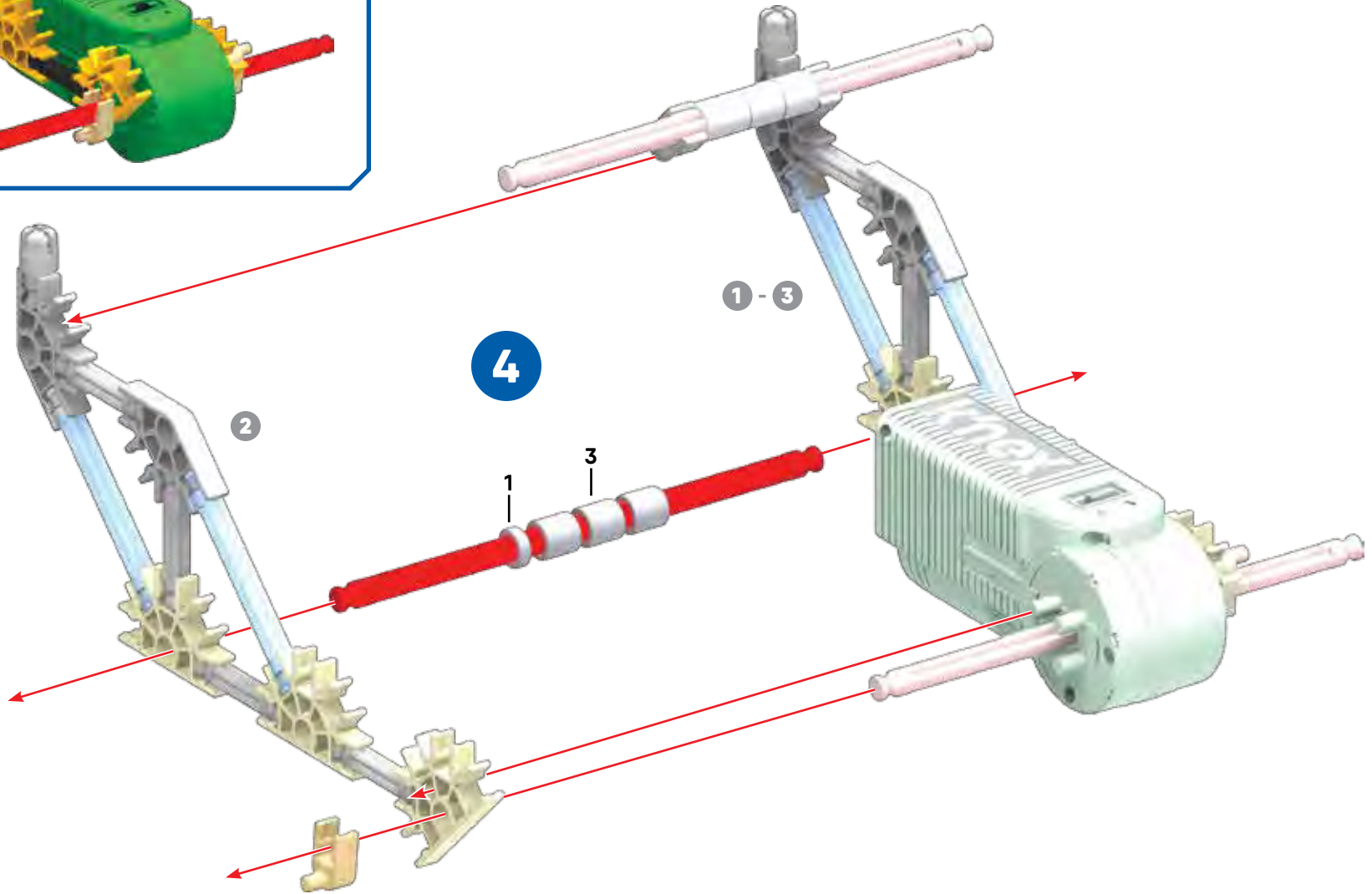
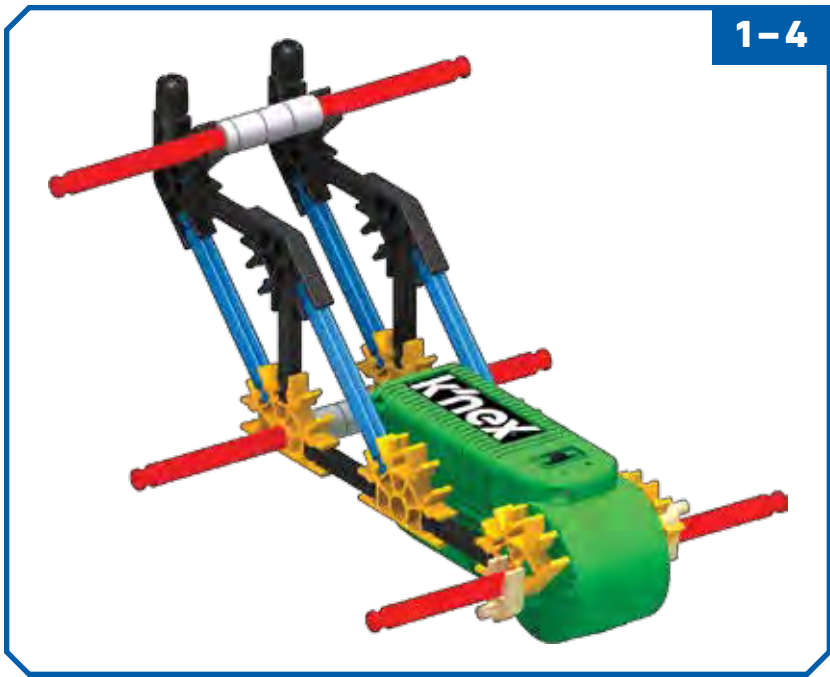




- |   |   |   |   |
|---|---|---|---|
| 1 | ○ | 2 | ■ |
| 3 | ○ | 1 | ■ |
| 1 | — |   |   |



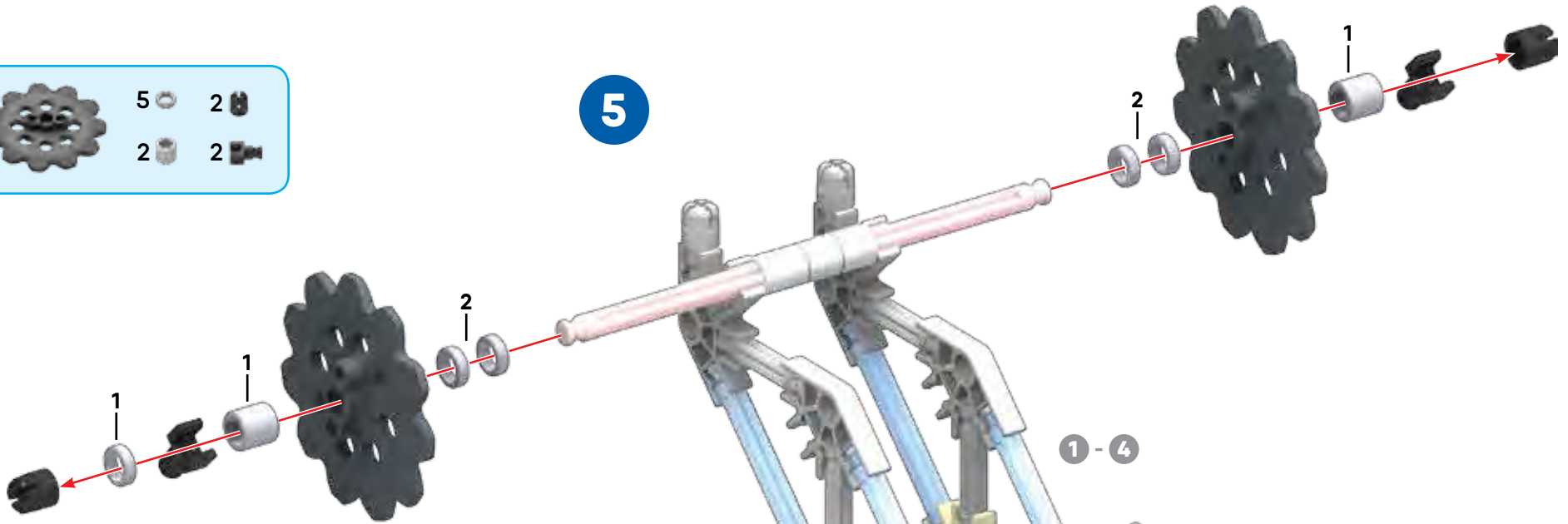
3





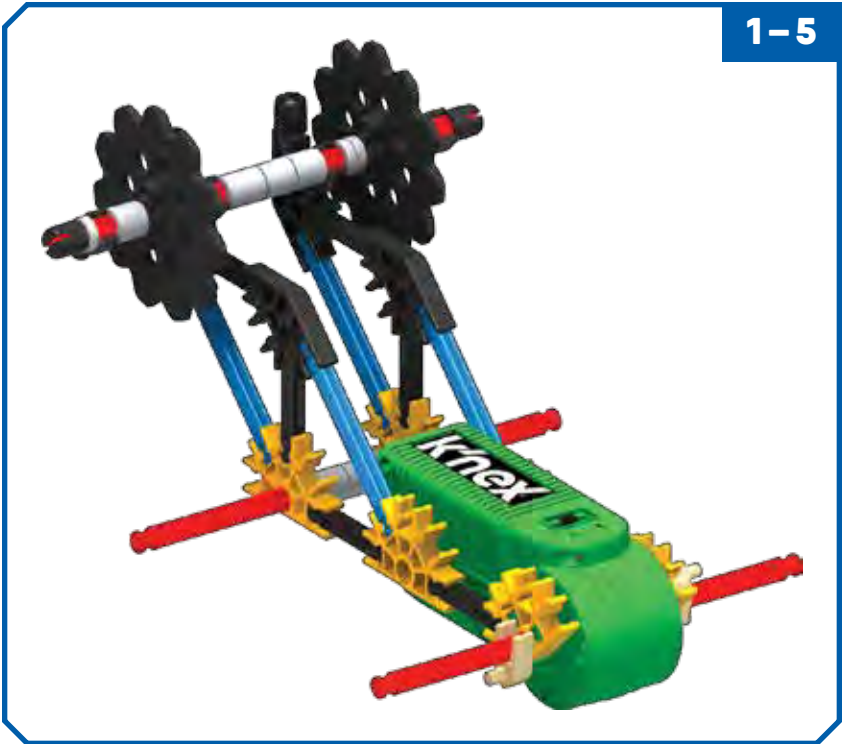
- |   |   |   |   |   |   |
|---|---|---|---|---|---|
| 2 |  | 5 |  | 2 |  |
|   |   | 2 |  | 2 |  |

5



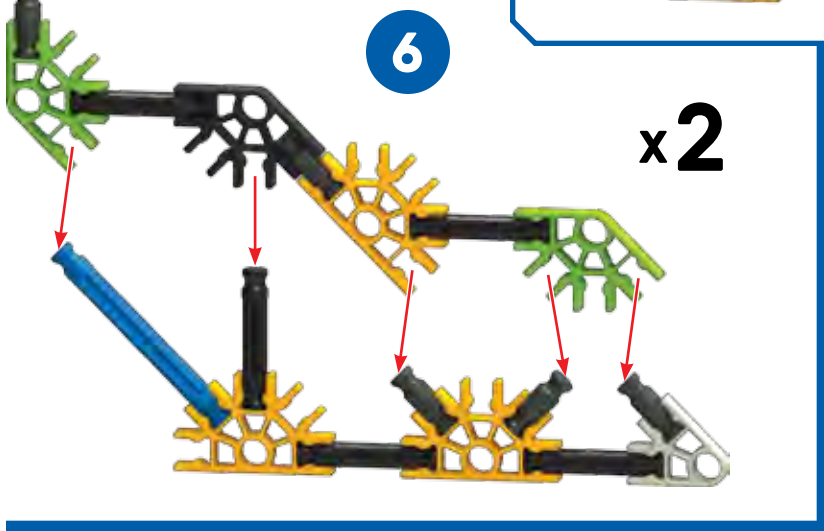
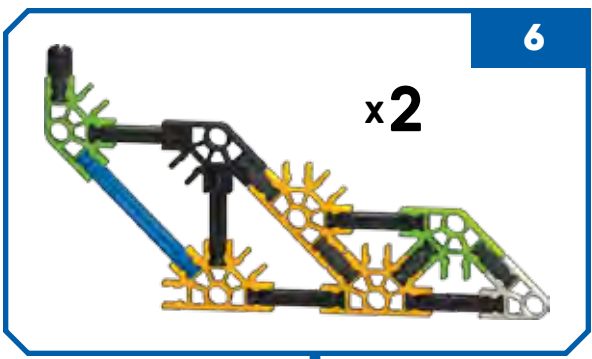
1-4






1-5

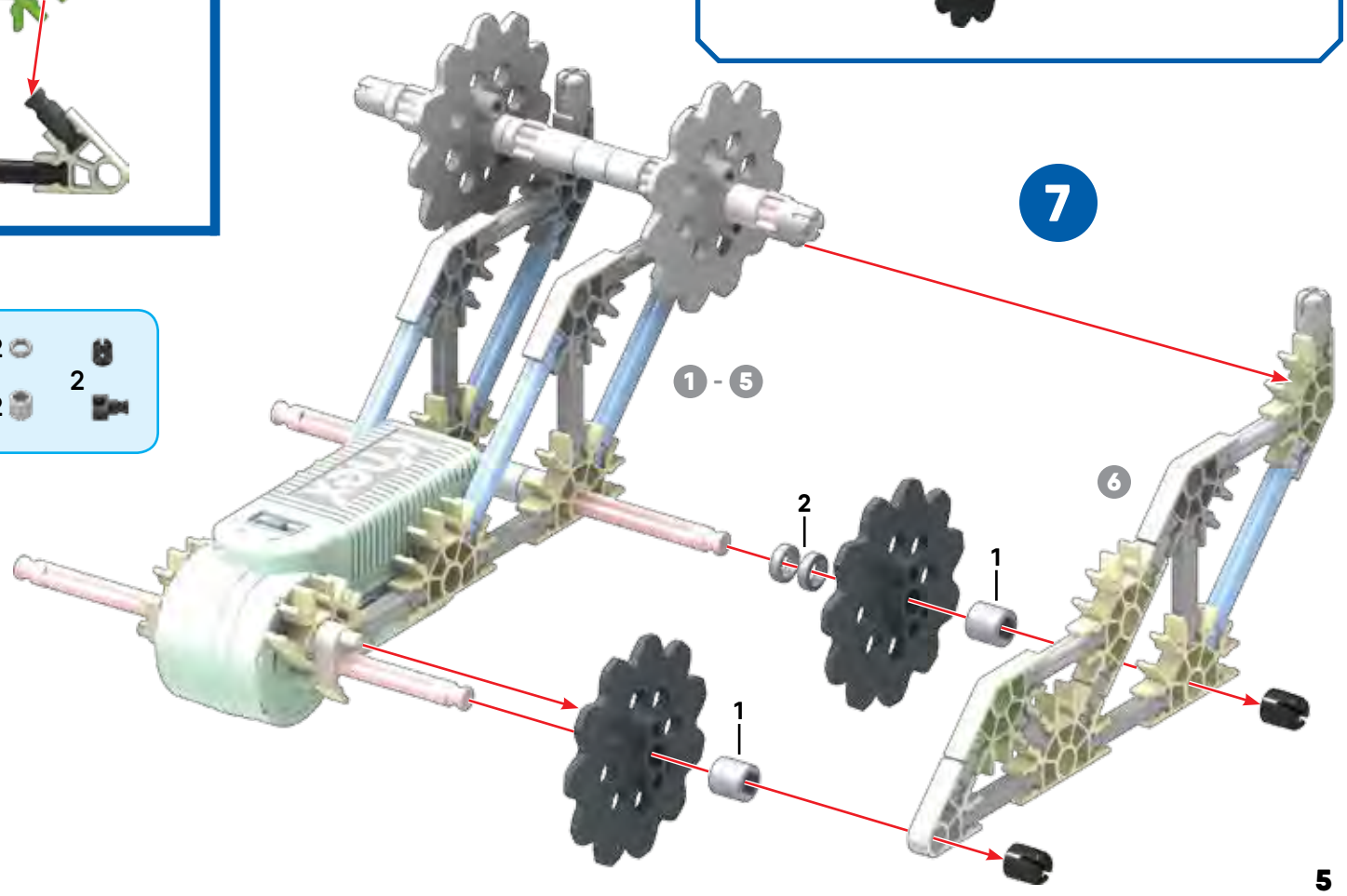




- 2  2 
- 10  10 
- 2  2 
- 4  6 



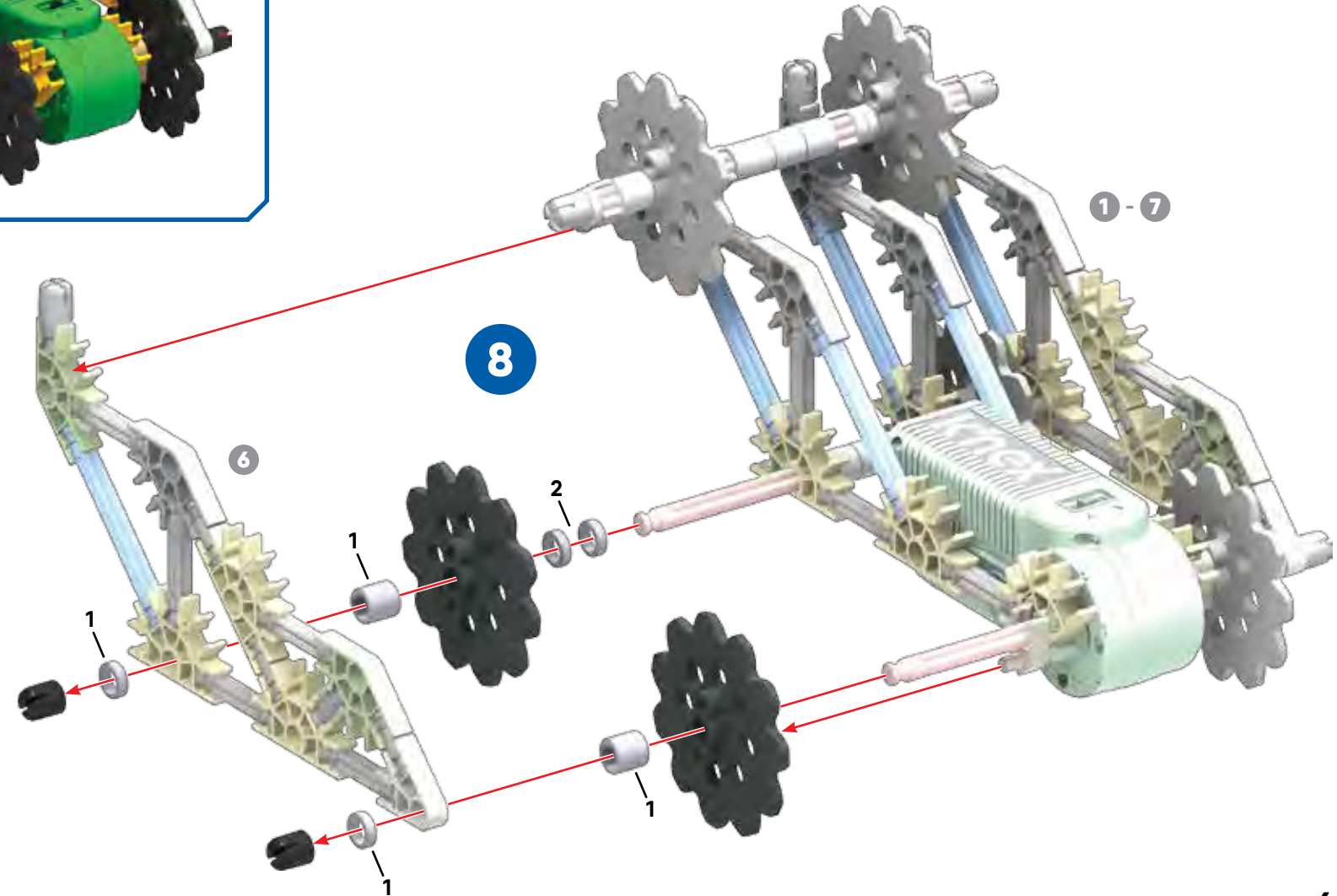
- 2 
- 2  2 
- 2  2 



1-8



- 2
- 4
- 2
- 2

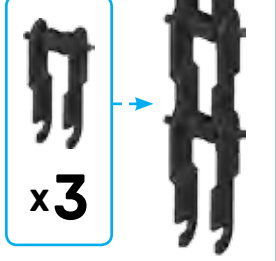


x18

9



10



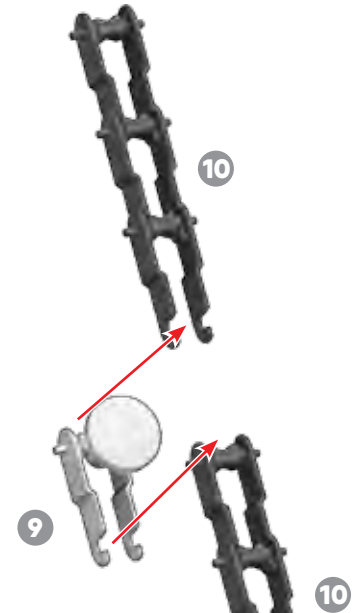
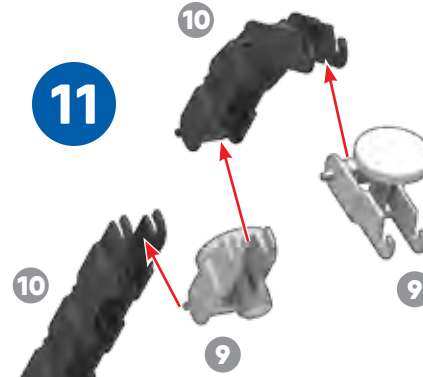
x3

x18



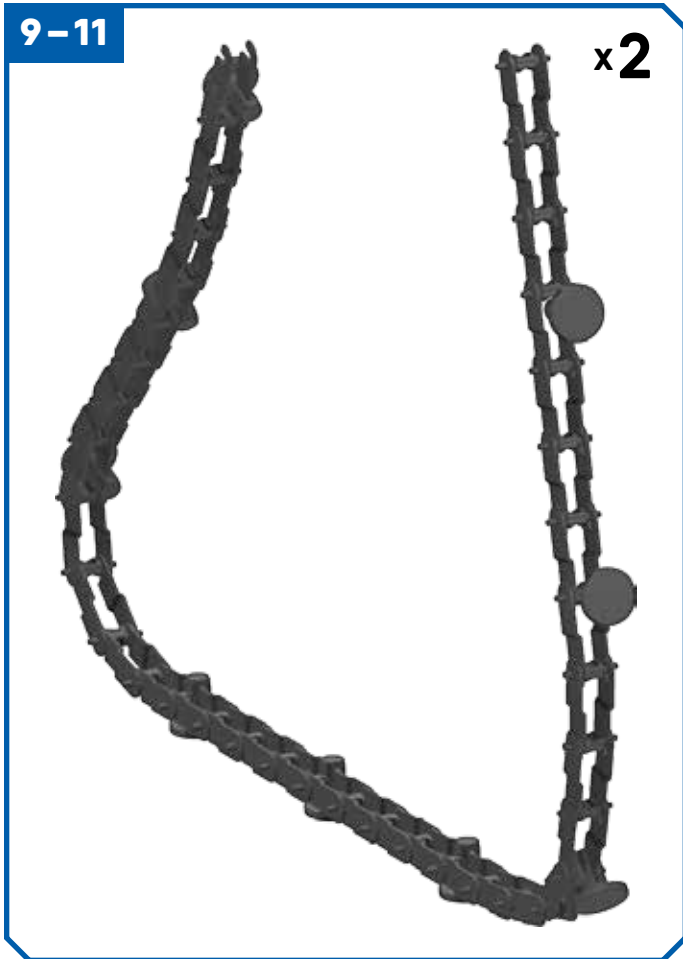
**IMPORTANT:** Attach all the chain links in the same direction.

11

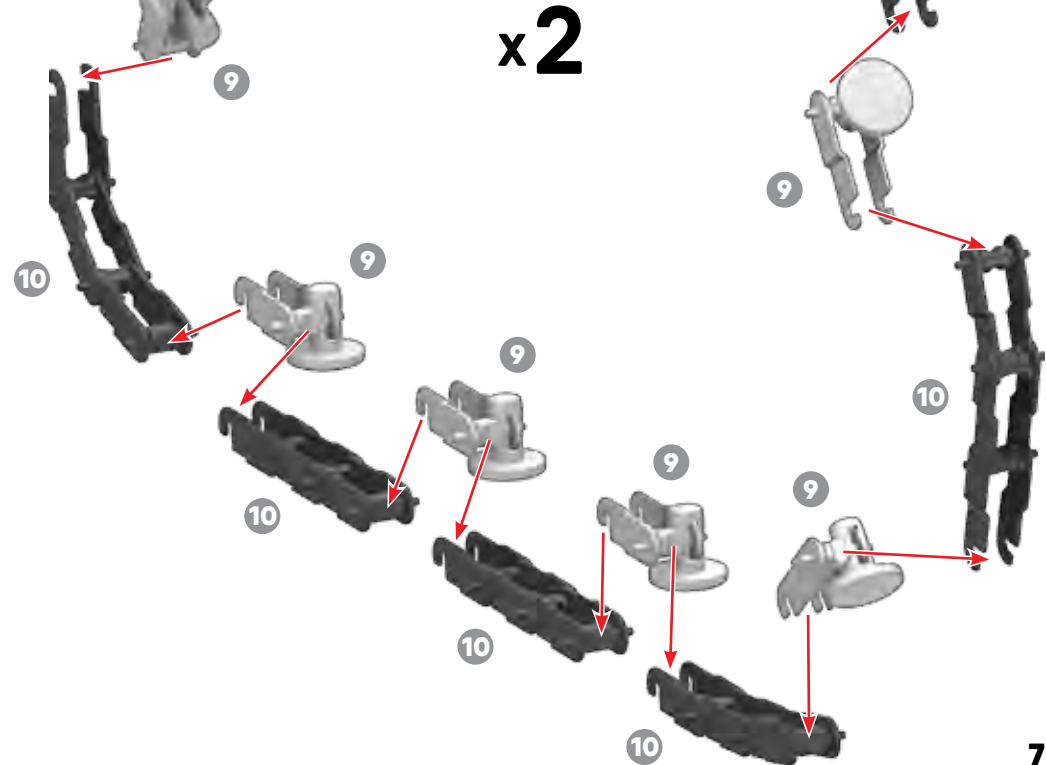


9-11

x2

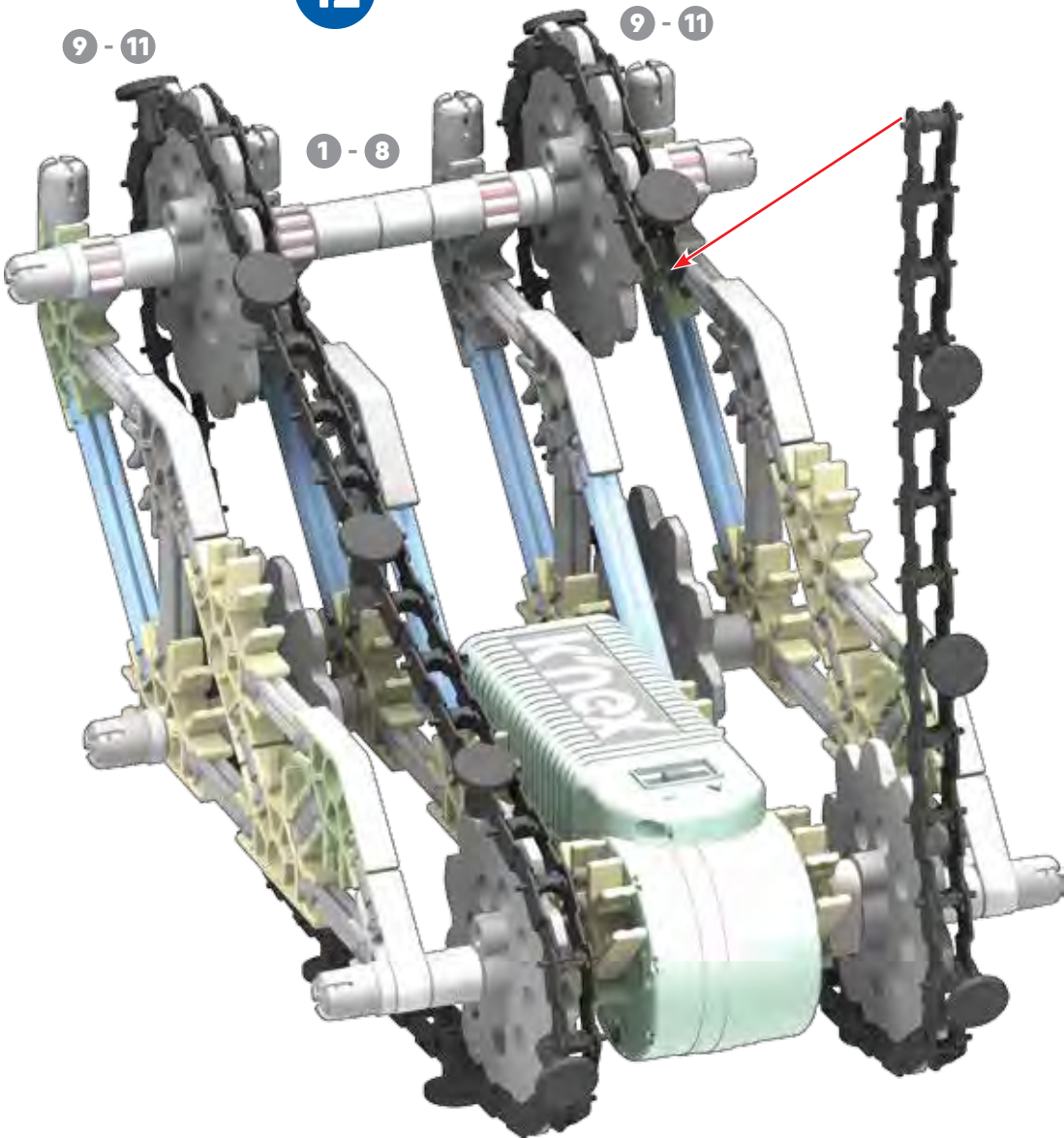


x2





12



1-12



**TRACK INVERTER**