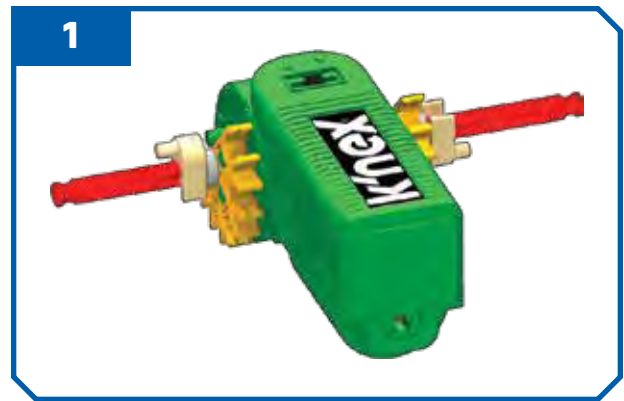


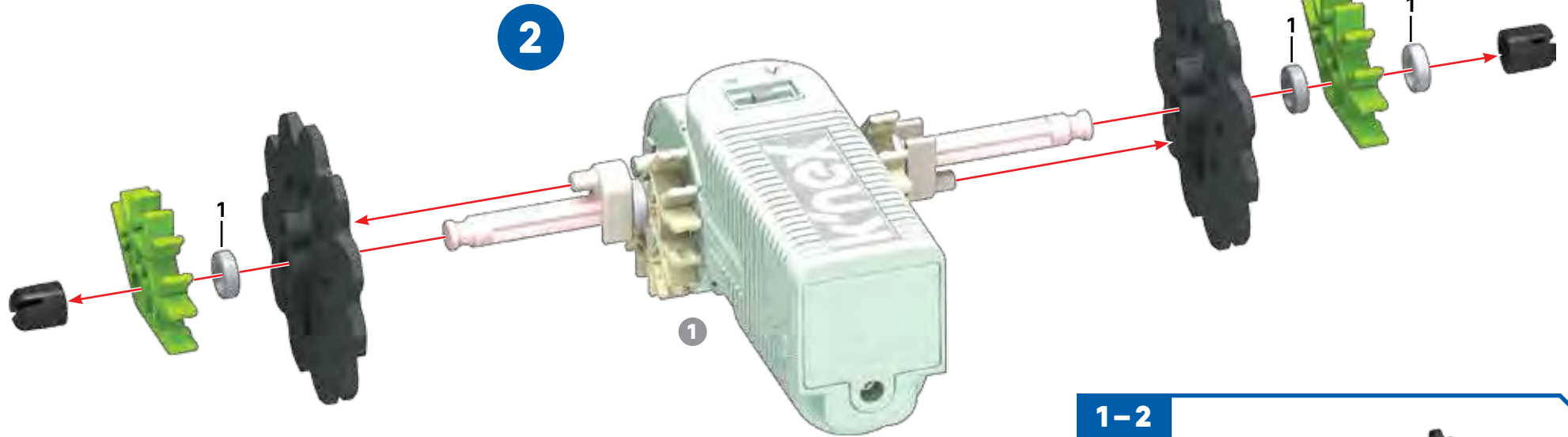
TRACK CLIMBER



Did you install 2 AA (or LR6) batteries in the motor?

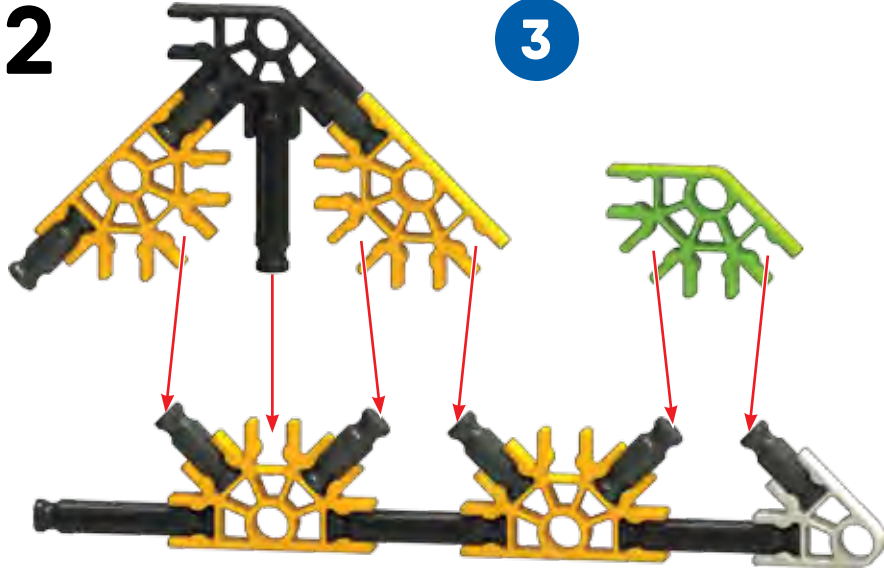
1





x2

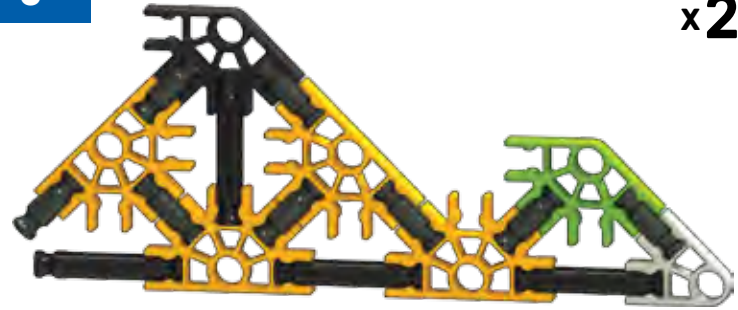
3



- | | |
|----|---|
| 16 | 8 |
| 2 | 2 |
| 2 | 8 |

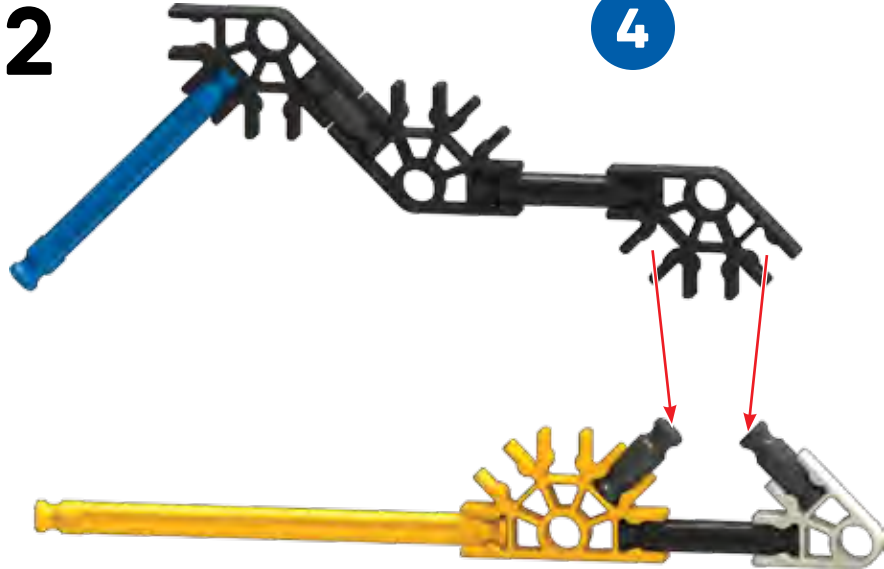
3

x2



x2

4

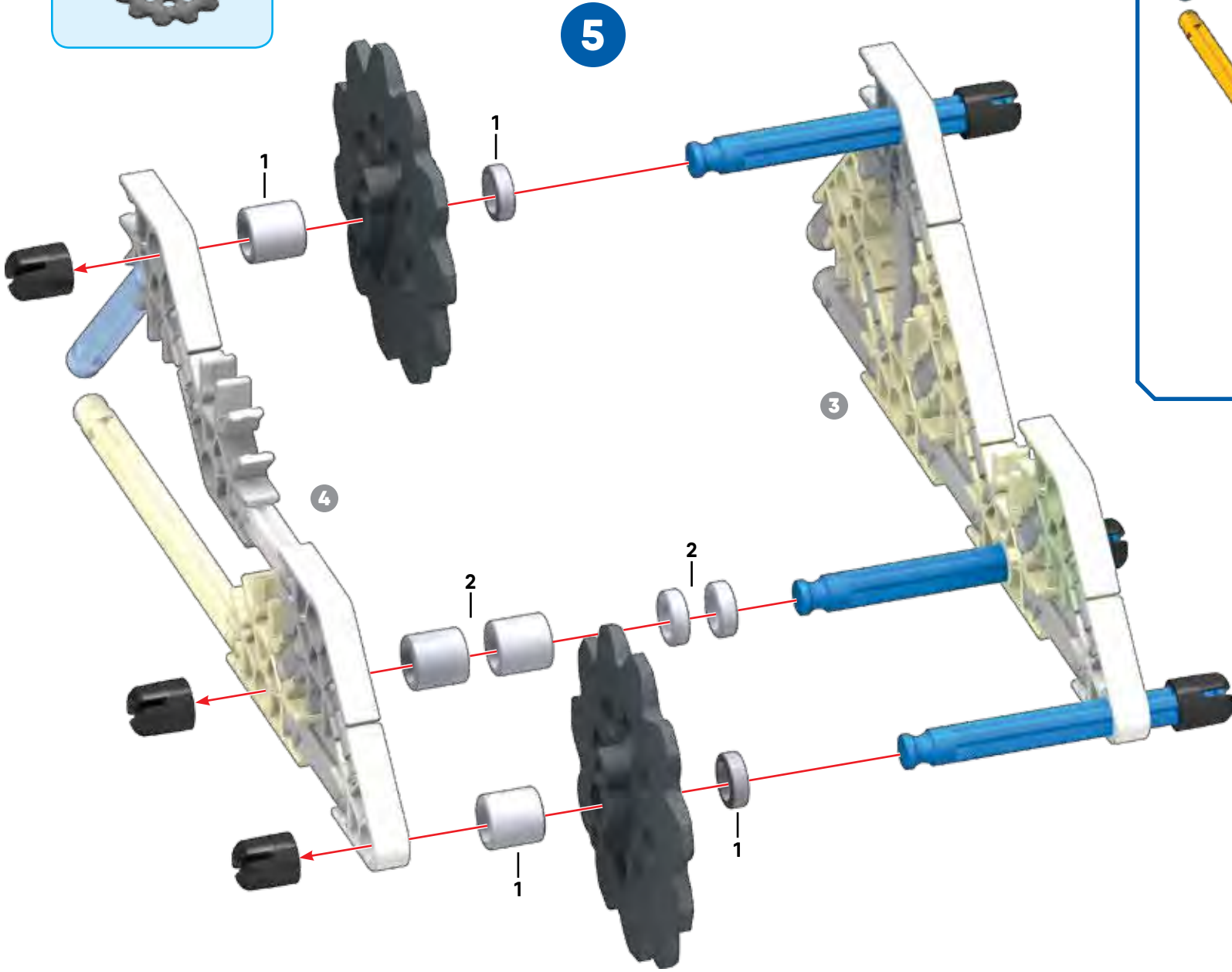
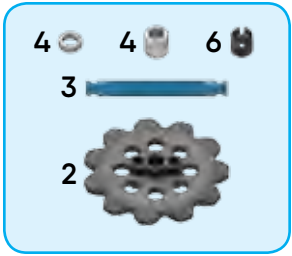


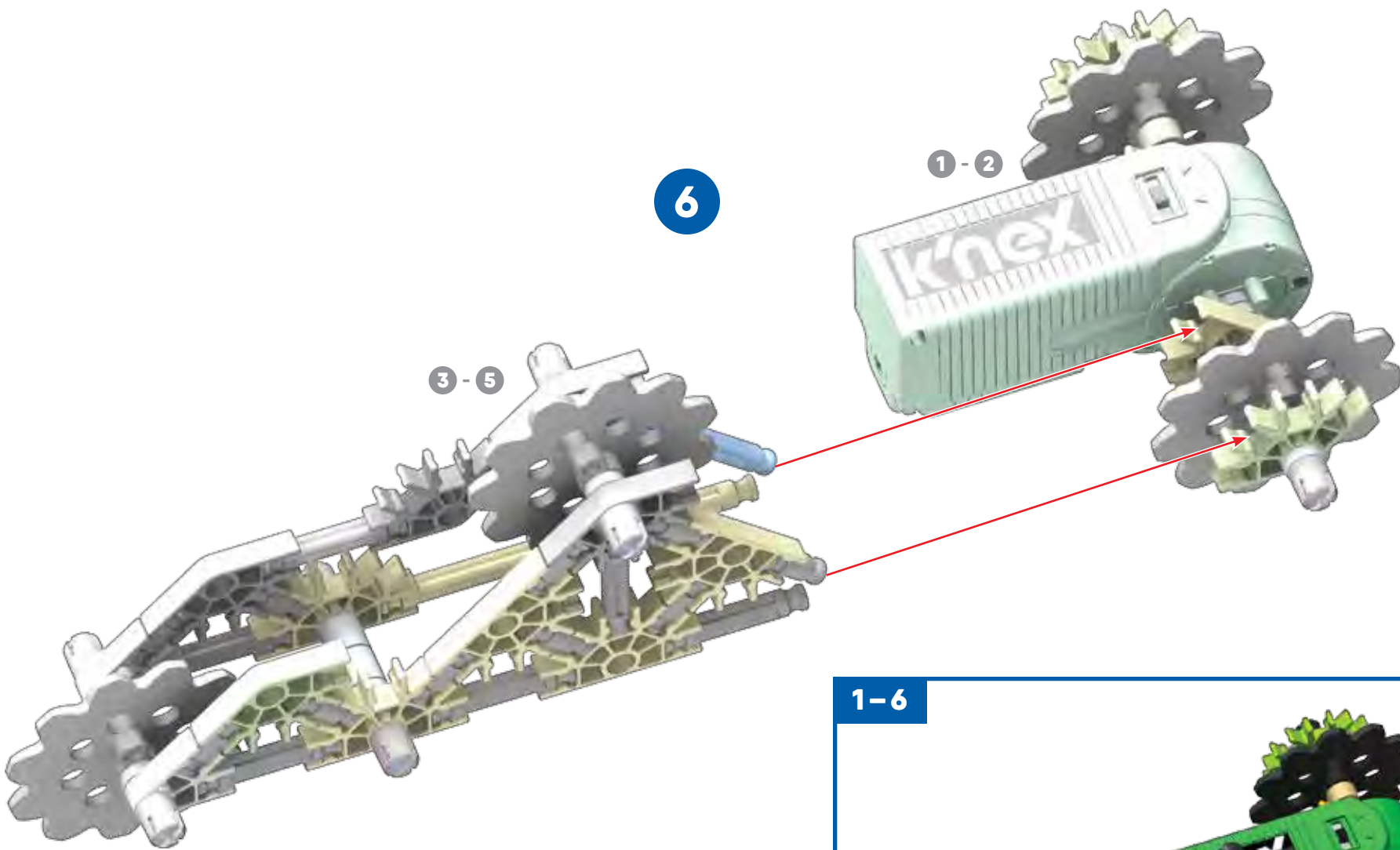
- | | |
|---|---|
| 6 | 4 |
| 2 | |
| 2 | |
| 2 | 2 |
| 6 | |








4

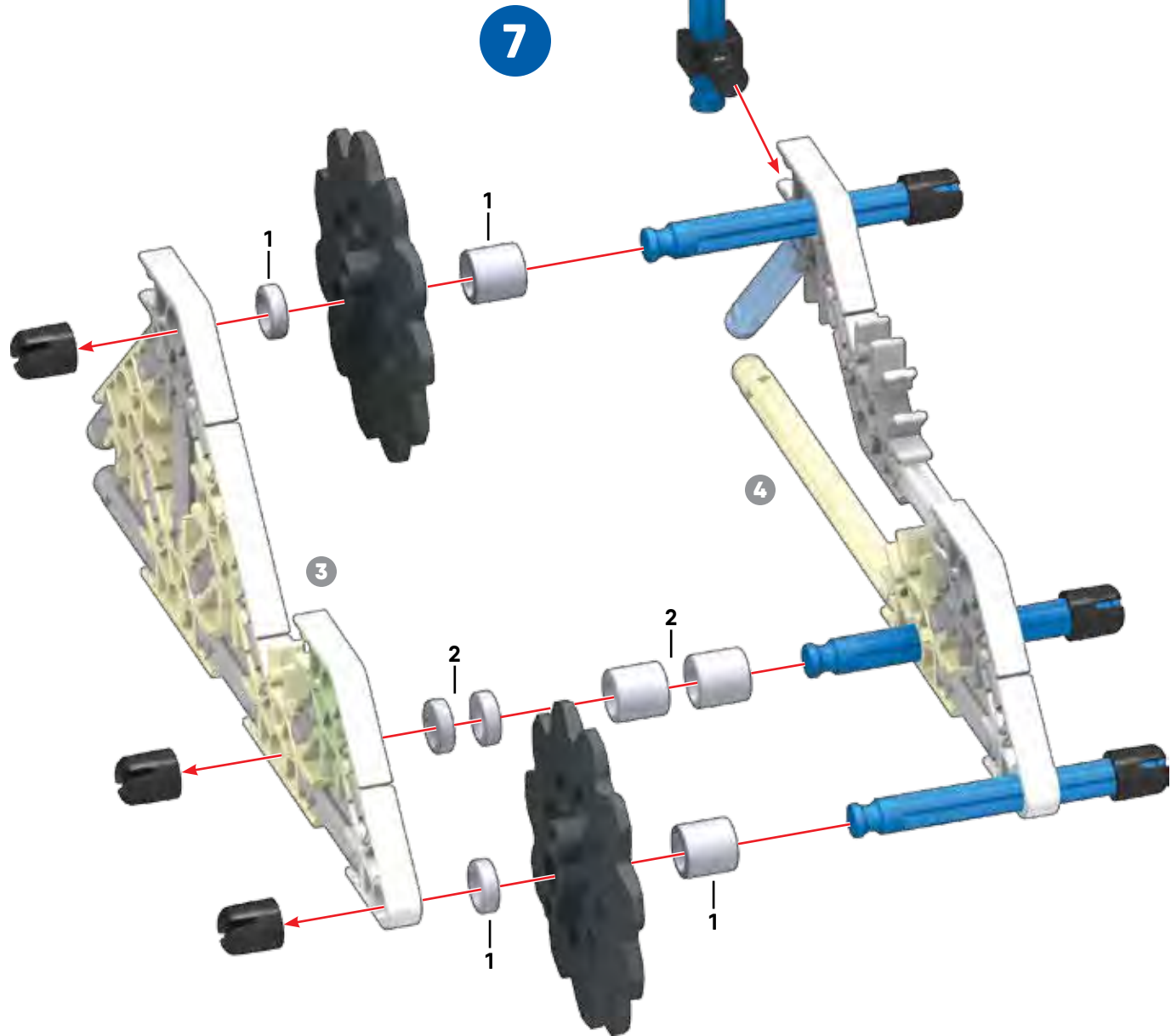
x2

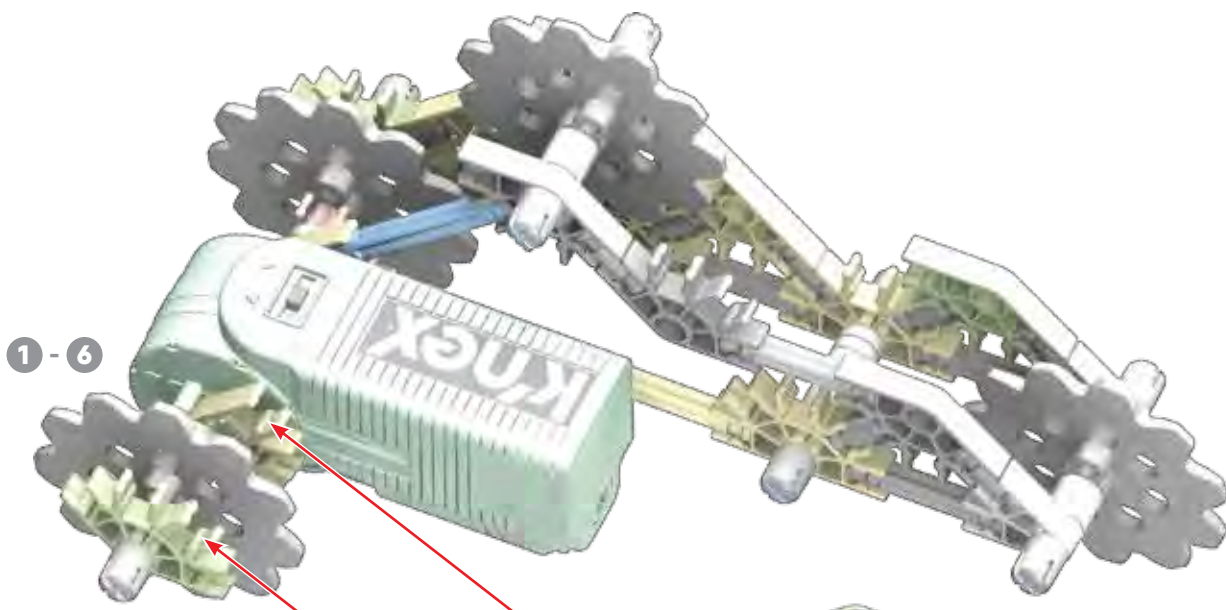




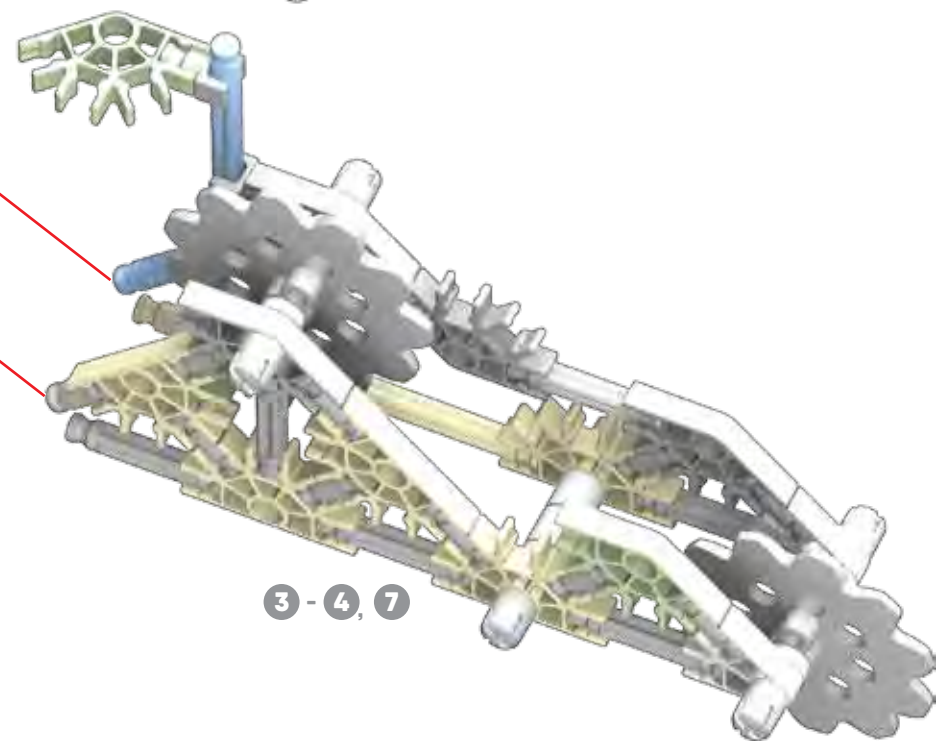


- 4  4  6  4 
- 2  2  1 





8

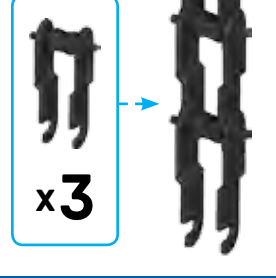


x18

9



10



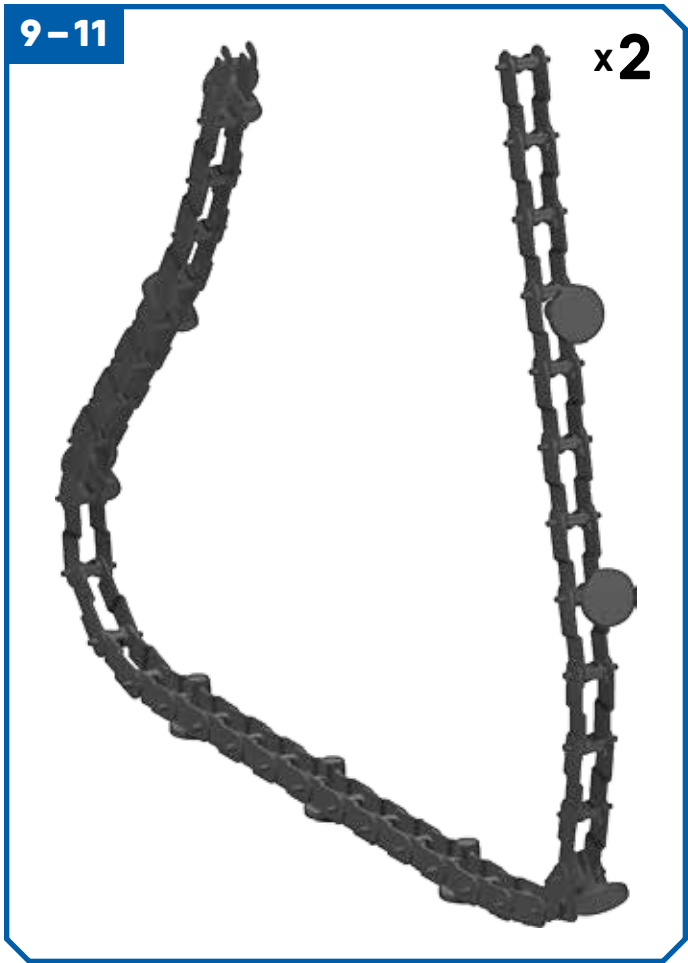
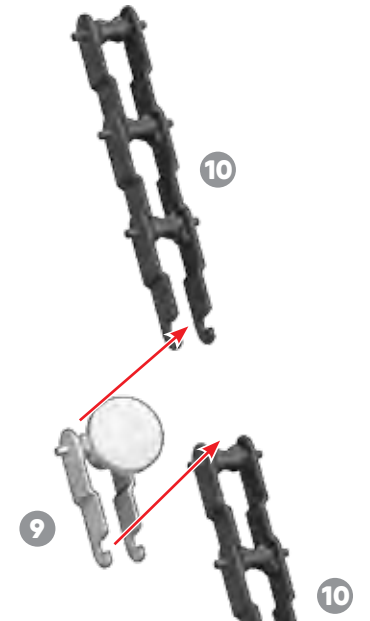
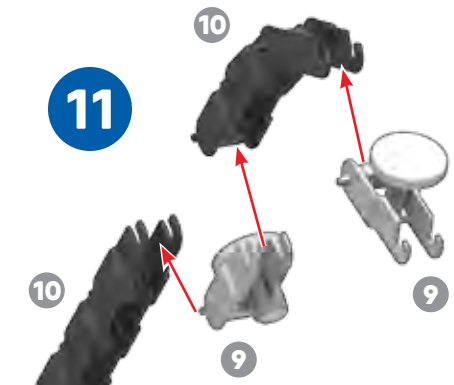
x3

x18



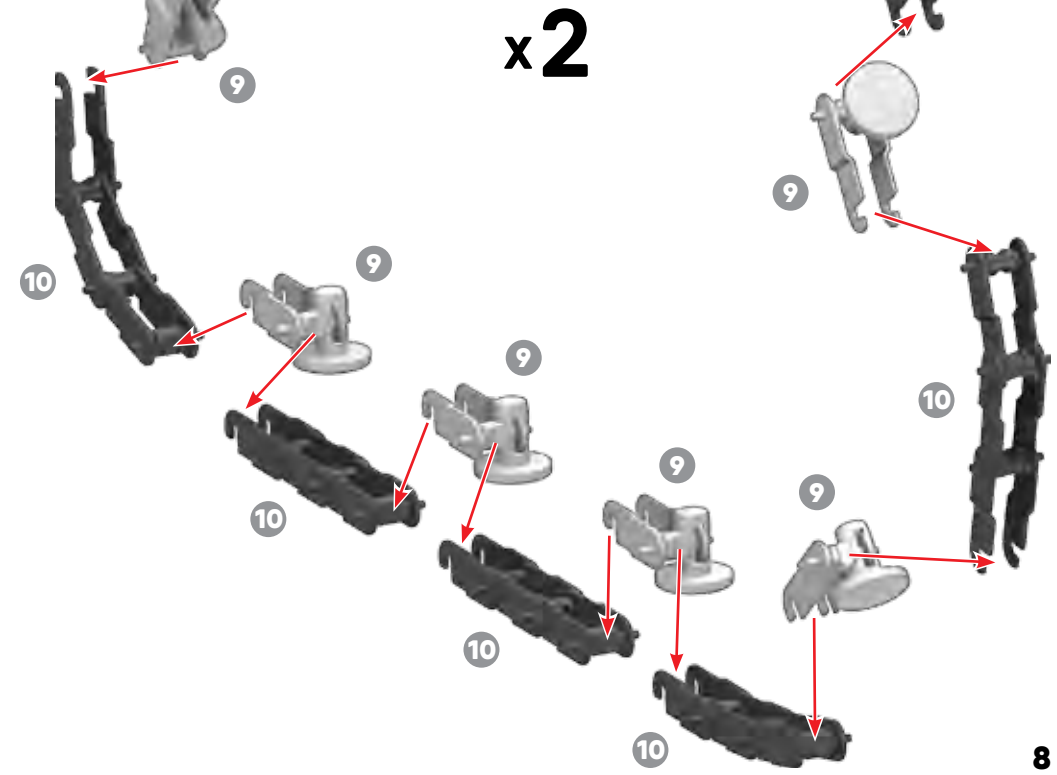
IMPORTANT: Attach all the chain links in the same direction.

11

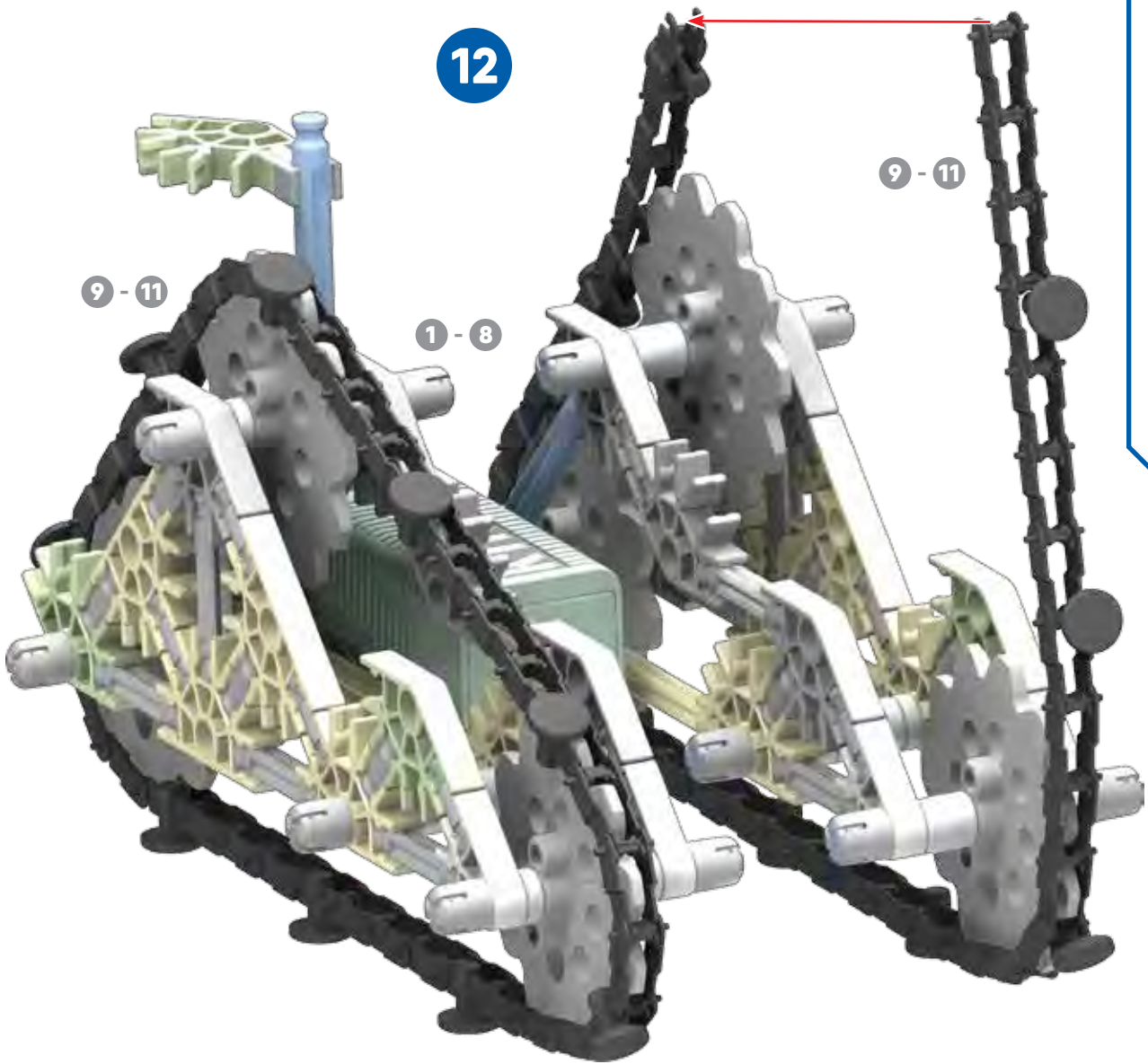


9-11

x2



x2



TRACK CLIMBER